

New Products

Issue 43 | February 1st - May 31st 2021
www.eastbrooktrade.com



SHOWROOM DISPLAYS

All products featured in our brochure are available for display!
Please contact your sales rep direct to order your display products.

Our radiators come in a beautiful range of colours which can be colour-matched with other Eastbrook items. Offering a 'Complete The Look' suggestion is a great tactic for impulse purchases or even introducing other products. This includes: Valves, Towel Hangers, Oslo Units, Taps & many more.

MAXIMISE YOUR SALES

Seeing is believing. Customers will naturally see 'accessories' as necessity items when displayed together. For example: Robe Hooks, Towel Hangers & Shelves to Radiator Feet!

SHOWROOM DISPLAY



RADIATOR COLOUR SWATCH



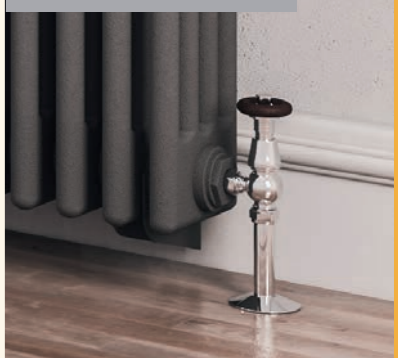
WHAT'S NEW ?

- 2 designer towel rail ranges
- 6 designer radiator ranges
- 2 new colours
- Traditional & modern style radiator valves
- Now coloured T Pieces & Dual Fuel Elbows
- New A+ element
- Magnetic towel hangers for steel radiators

PLUS

Lots of new sizes added to existing ranges for maximum selling versatility. We pride ourselves in supplying the exact sizes your many customers require.

TRADITIONAL VALVE



SCROLL DOWN TO VIEW

NEW PRODUCTS



Multirail Range

WINGRAVE - STRAIGHT, CHROME

NEW
New Sizes



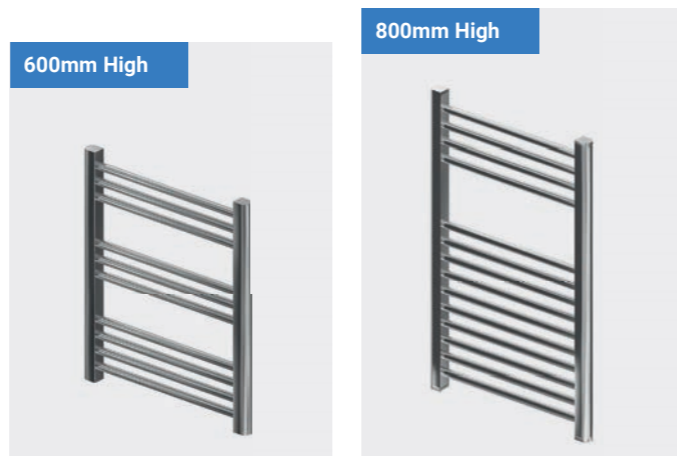
Pictured 89.0095 Chrome

A contemporary straight towel radiator range which comes in chrome, matt anthracite, matt black, gloss white and matt white finishes. In a wide variety of sizes this range not only adds to your bathroom with design simplicity but also keeps your towels warm.

FEATURES

- 22mm diameter horizontal round tubes.
 - Manufactured and tested to EN442 standard
 - CE and NF certificates
 - 5 Year manufacturer's warranty*
 - Can be single or dual fuel, or all electric
- * With conditions

Warranty 5 Year	Diameter (Ø) 22 MM Bars	Heating 	All Electric 	Dual-Fuel
------------------------------	--------------------------------------	--------------------	-------------------------	----------------------



Multirail Range

NEW SIZES HIGHLIGHTED

WINGRAVE - STRAIGHT, CHROME

Wingrave - Straight Chrome 600mm Height

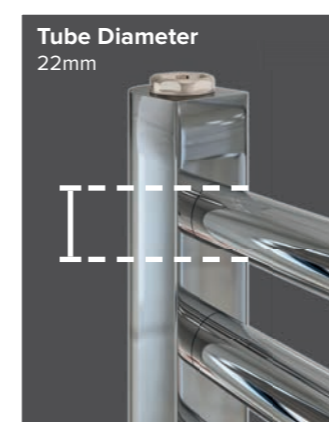
Size H x W	Watts	BTU	Element Output	Element Type	Code	£ Ex VAT	£ Inc VAT
600 x 300mm	148	505	100W	A, A+, D, E	89.0686	56.00	67.20
600 x 400mm	182	622	100W	A, A+, D, E	89.0687	59.00	70.80
600 x 500mm	215	734	100W	A, A+, D, E	89.0688	66.00	79.20
600 x 600mm	249	850	150W	A, A+, D, E	89.0689	74.00	88.80

Wingrave - Straight Chrome 800mm Height

Size H x W	Watts	BTU	Element Output	Element Type	Code	£ Ex VAT	£ Inc VAT
800 x 300mm	201	686	100W	A, A+, D, E	89.0690	59.00	70.80
800 x 400mm	247	844	150W	A, A+, D, E	89.0083	63.00	75.60
800 x 500mm	285	1005	150W	A, A+, D, E, F	89.0088	73.00	87.60
800 x 600mm	342	1166	150W	A, A+, D, E, F	89.0093	79.00	94.80

Wingrave - Straight Chrome 1000mm Height

Size H x W	Watts	BTU	Element Output	Element Type	Code	£ Ex VAT	£ Inc VAT
1000 x 300mm	234	799	150W	A, A+, D, E, F	89.0691	70.00	84.00
1000 x 400mm	286	975	150W	A, A+, D, E, F	89.0084	76.00	91.20
1000 x 500mm	338	1154	150W	A, A+, D, E, F	89.0089	84.00	100.80
1000 x 600mm	391	1334	150W	A, A+, D, E, F	89.0094	92.00	110.40



Tube Diameter
22mm

Room Divider Bracket Sets

Page 655



Vent Caps

Page 657



Wingrave - Straight Chrome 1200mm Height

Size H x W	Watts	BTU	Element Output	Element Type	Code	£ Ex VAT	£ Inc VAT
1200 x 300mm	286	976	150W	A, A+, D, E, F	89.0692	82.00	98.40
1200 x 400mm	351	1197	150W	A, A+, D, E, F	89.0085	88.00	105.60
1200 x 500mm	417	1421	150W	A, A+, D, E, F	89.0090	98.00	117.60
1200 x 600mm	482	1646	300W	A, A+, D, E, F	89.0095	109.00	130.80

Wingrave - Straight Chrome 1400mm Height

Size H x W	Watts	BTU	Element Output	Element Type	Code	£ Ex VAT	£ Inc VAT
1400 x 300mm	324	1106	150W	A, A+, D, E, F	89.0694	107.00	128.40
1400 x 400mm	395	1348	150W	A, A+, D, E, F	89.0530	112.00	134.40
1400 x 500mm	467	1593	150W	A, A+, D, E, F	89.0531	122.00	146.40
1400 x 600mm	539	1839	300W	A, A+, D, E, F	89.0532	132.00	158.40

Wingrave - Straight Chrome 1600mm Height

Size H x W	Watts	BTU	Element Output	Element Type	Code	£ Ex VAT	£ Inc VAT
1600 x 300mm	376	1283	150W	A, A+, D, E, F	89.0694	109.00	130.80
1600 x 400mm	459	1567	150W	A, A+, D, E, F	89.0086	117.00	140.40
1600 x 500mm	545	1858	300W	A, A+, D, E, F	89.0091	128.00	153.60
1600 x 600mm	630	2150	300W	A, A+, D, E, F	89.0096	139.00	166.80

Wingrave - Straight Chrome 1800mm Height

Size H x W	Watts	BTU	Element Output	Element Type	Code	£ Ex VAT	£ Inc VAT
1800 x 300mm	428	1461	150W	A, A+, D, E, F	89.0695	121.00	145.20
1800 x 400mm	524	1789	300W	A, A+, D, E, F	89.0087	130.00	156.00
1800 x 500mm	623	2125	300W	A, A+, D, E, F	89.0092	145.00	174.00
1800 x 600mm	721	2461	450W	A+, D, E, F	89.0097	155.00	186.00

Multi-Rail Hangers

Page 656



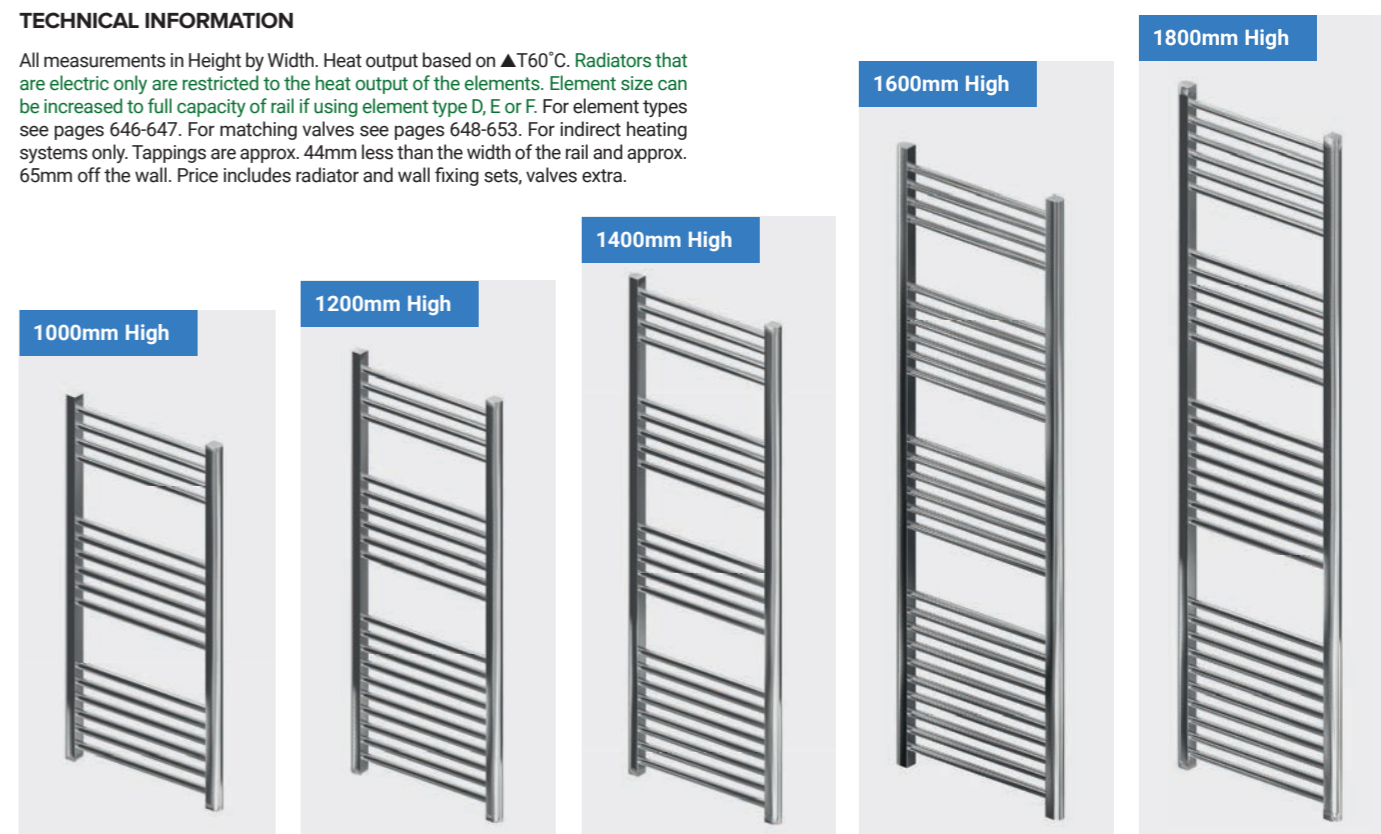
Robe Hooks & Hangers

Page 656



TECHNICAL INFORMATION

All measurements in Height by Width. Heat output based on $\Delta T60^{\circ}\text{C}$. Radiators that are electric only are restricted to the heat output of the elements. Element size can be increased to full capacity of rail if using element type D, E or F. For element types see pages 646-647. For matching valves see pages 648-653. For indirect heating systems only. Tappings are approx. 44mm less than the width of the rail and approx. 65mm off the wall. Price includes radiator and wall fixing sets, valves extra.



Multirail Range

WINGRAVE - STRAIGHT, MATT ANTHRACITE

NEW
New Sizes



Pictured 89.0074 Matt Anthracite

A contemporary straight towel radiator range which comes in chrome, matt anthracite, matt black, gloss white and matt white finishes. In a wide variety of sizes this range not only adds to your bathroom with design simplicity but also keeps your towels warm.

FEATURES

- 22mm diameter horizontal round tubes.
- Manufactured and tested to EN442 standard
- CE and NF certificates
- 5 Year manufacturer's warranty*
- Can be single or dual fuel, or all electric
- * With conditions

Warranty

5

Year

Diameter (Ø)

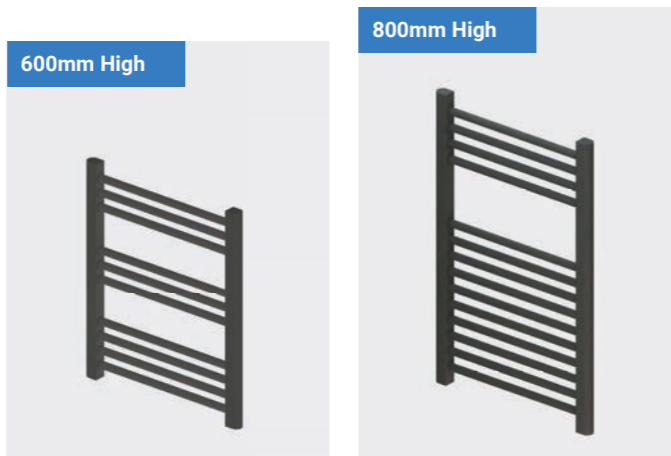
22

MM Bars

Heating

All Electric

Dual-Fuel

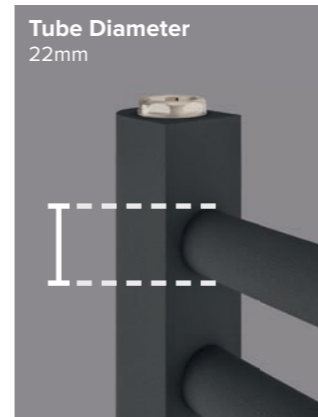


NEW SIZES HIGHLIGHTED

Wingrave - Straight Matt Anthracite 600mm Height								
Size H x W	Watts	BTU	Element Output	Element Type	Code	£ Ex VAT	£ Inc VAT	
600 x 300mm	222	758	100W	A, A+, D, E	89.0666	37.00	44.40	
600 x 400mm	274	935	150W	A, A+, D, E	89.0667	39.00	46.80	
600 x 500mm	325	1109	150W	A, A+, D, E, F	89.0668	42.00	50.40	
600 x 600mm	377	1287	150W	A, A+, D, E, F	89.0669	44.00	52.80	

Wingrave - Straight Matt Anthracite 800mm Height								
Size H x W	Watts	BTU	Element Output	Element Type	Code	£ Ex VAT	£ Inc VAT	
800 x 300mm	282	963	150W	A, A+, D, E, F	89.0670	39.00	46.80	
800 x 400mm	374	1276	150W	A, A+, D, E, F	89.0068	46.00	55.20	
800 x 500mm	445	1518	150W	A, A+, D, E, F	89.0073	50.00	60.00	
800 x 600mm	517	1764	300W	A, A+, D, E, F	89.0078	52.00	62.40	

Wingrave - Straight Matt Anthracite 1000mm Height								
Size H x W	Watts	BTU	Element Output	Element Type	Code	£ Ex VAT	£ Inc VAT	
1000 x 300mm	343	1171	150W	A, A+, D, E, F	89.0671	44.00	52.80	
1000 x 400mm	419	1430	150W	A, A+, D, E, F	89.0069	52.00	62.40	
1000 x 500mm	496	1692	300W	A, A+, D, E, F	89.0074	56.00	67.20	
1000 x 600mm	573	1955	300W	A, A+, D, E, F	89.0079	60.00	72.00	



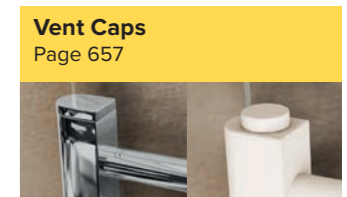
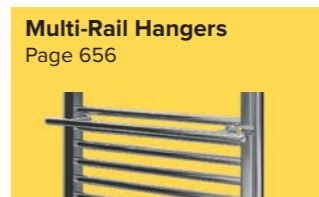
WINGRAVE - STRAIGHT, MATT ANTHRACITE

Wingrave - Straight Matt Anthracite 1200mm Height								
Size H x W	Watts	BTU	Element Output	Element Type	Code	£ Ex VAT	£ Inc VAT	
1200 x 300mm	420	1434	150W	A, A+, D, E, F	89.0672	51.00	61.20	
1200 x 400mm	514	1754	300W	A, A+, D, E, F	89.0070	60.00	72.00	
1200 x 500mm	611	2085	300W	A, A+, D, E, F	89.0075	63.00	75.60	
1200 x 600mm	708	2416	300W	A, A+, D, E, F	89.0080	67.00	80.40	

Wingrave - Straight Matt Anthracite 1400mm Height								
Size H x W	Watts	BTU	Element Output	Element Type	Code	£ Ex VAT	£ Inc VAT	
1400 x 300mm	471	1608	150W	A, A+, D, E, F	89.0673	59.00	70.80	
1400 x 400mm	571	1948	300W	A, A+, D, E, F	89.0533	67.00	80.40	
1400 x 500mm	676	2307	300W	A, A+, D, E, F	89.0534	74.00	88.80	
1400 x 600mm	780	2661	450W	A+, D, E, F	89.0535	79.00	94.80	

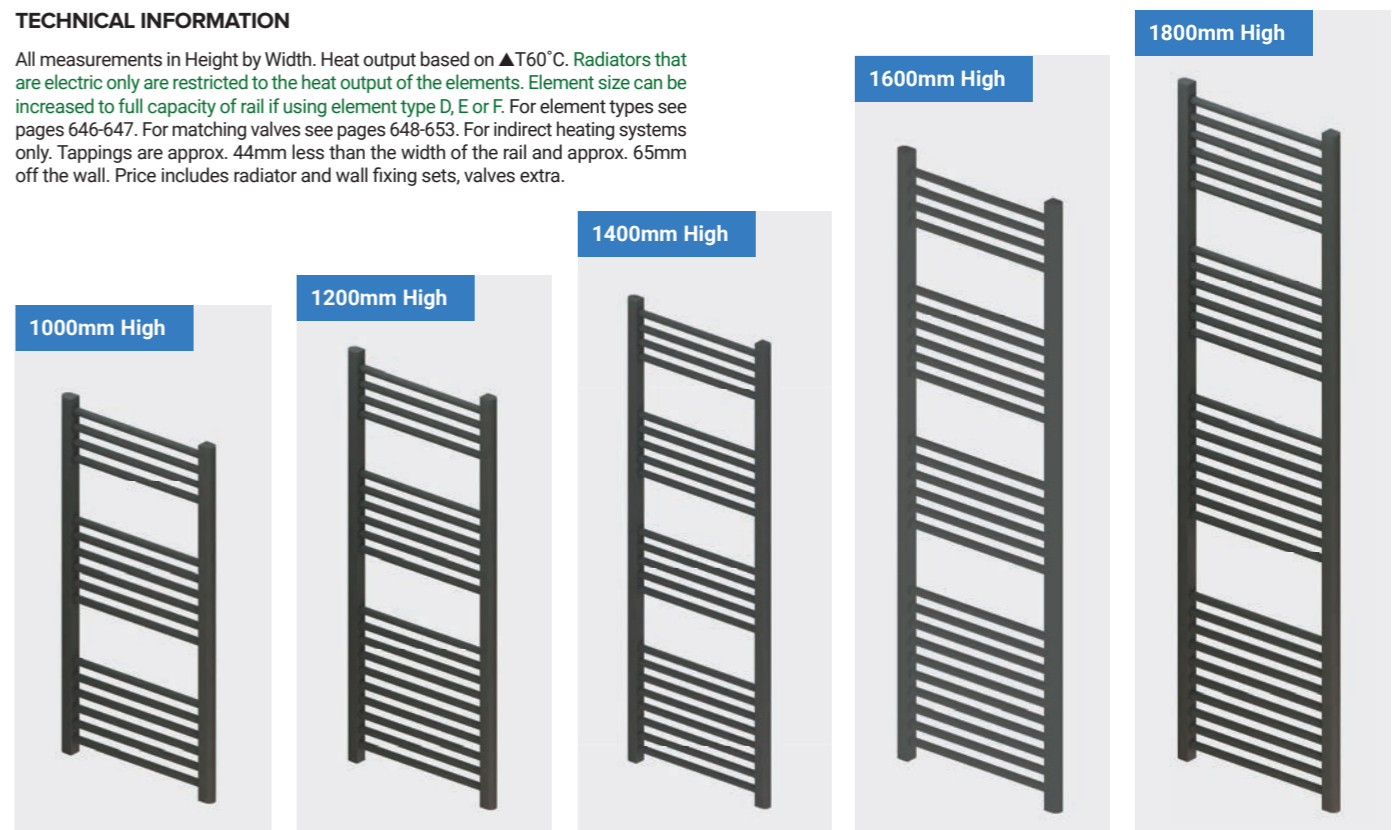
Wingrave - Straight Matt Anthracite 1600mm Height								
Size H x W	Watts	BTU	Element Output	Element Type	Code	£ Ex VAT	£ Inc VAT	
1600 x 300mm	547	1867	300W	A, A+, D, E, F	89.0674	62.00	74.40	
1600 x 400mm	669	2283	300W	A, A+, D, E, F	89.0071	75.00	90.00	
1600 x 500mm	794	2709	450W	A+, D, E, F	89.0076	80.00	96.00	
1600 x 600mm	918	3132	450W	A+, D, E, F	89.0081	84.00	100.80	

Wingrave - Straight Matt Anthracite 1800mm Height								
Size H x W	Watts	BTU	Element Output	Element Type	Code	£ Ex VAT	£ Inc VAT	
1800 x 300mm	623	2126	300W	A, A+, D, E, F	89.0675	70.00	84.00	
1800 x 400mm	764	2607	450W	A+, D, E, F	89.0072	81.00	97.20	
1800 x 500mm	908	3098	450W	A+, D, E, F	89.0077	95.00	114.00	
1800 x 600mm	1051	3586	600W	A, A+, D, E, F	89.0082	96.00	115.20	



TECHNICAL INFORMATION

All measurements in Height by Width. Heat output based on $\Delta T60^{\circ}C$. Radiators that are electric only are restricted to the heat output of the elements. Element size can be increased to full capacity of rail if using element type D, E or F. For element types see pages 646-647. For matching valves see pages 648-653. For indirect heating systems only. Tappings are approx. 44mm less than the width of the rail and approx. 65mm off the wall. Price includes radiator and wall fixing sets, valves extra.



Multirail Range

WINGRAVE - STRAIGHT, MATT BLACK

NEW
New Sizes



Pictured 89.0606 Matt Black

A contemporary straight towel radiator range which comes in chrome, matt anthracite, matt black, gloss white and matt white finishes. In a wide variety of sizes this range not only adds to your bathroom with design simplicity but also keeps your towels warm.

FEATURES

- 22mm diameter horizontal round tubes.
- Manufactured and tested to EN442 standard
- CE and NF certificates
- 5 Year manufacturer's warranty*
- Can be single or dual fuel, or all electric
- * With conditions

Warranty

5

Year

Diameter (Ø)

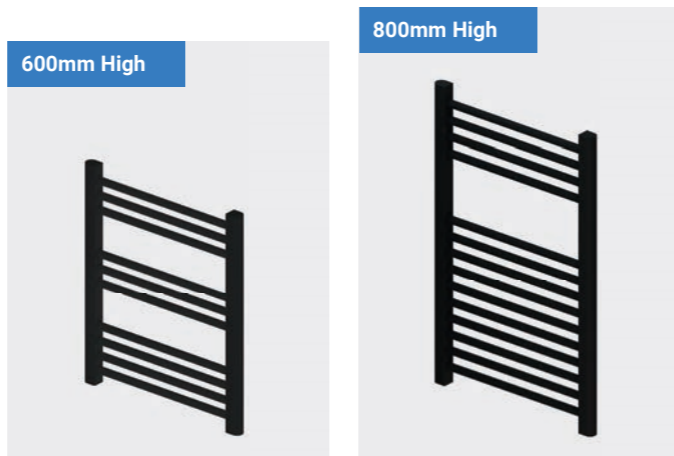
22

MM Bars

Heating

All Electric

Dual-Fuel



Multirail Range

NEW SIZES HIGHLIGHTED

WINGRAVE - STRAIGHT, MATT BLACK

Wingrave - Straight Matt Black 600mm Height

Size H x W	Watts	BTU	Element Output	Element Type	Code	£ Ex VAT	£ Inc VAT
600 x 300mm	222	758	100W	A, A+, D, E	89.0676	37.00	44.40
600 x 400mm	274	935	150W	A, A+, D, E	89.0677	39.00	46.80
600 x 500mm	325	1109	150W	A, A+, D, E, F	89.0678	42.00	50.40
600 x 600mm	377	1287	150W	A, A+, D, E, F	89.0679	44.00	52.80

Wingrave - Straight Matt Black 800mm Height

Size H x W	Watts	BTU	Element Output	Element Type	Code	£ Ex VAT	£ Inc VAT
800 x 300mm	282	963	150W	A, A+, D, E, F	89.0680	39.00	46.80
800 x 400mm	374	1276	150W	A, A+, D, E, F	89.0596	46.00	55.20
800 x 500mm	445	1518	150W	A, A+, D, E, F	89.0597	50.00	60.00
800 x 600mm	517	1764	300W	A, A+, D, E, F	89.0598	52.00	62.40

Wingrave - Straight Matt Black 1000mm Height

Size H x W	Watts	BTU	Element Output	Element Type	Code	£ Ex VAT	£ Inc VAT
1000 x 300mm	343	1171	150W	A, A+, D, E, F	89.0681	44.00	52.80
1000 x 400mm	419	1430	150W	A, A+, D, E, F	89.0599	52.00	62.40
1000 x 500mm	496	1692	300W	A, A+, D, E, F	89.0600	56.00	67.20
1000 x 600mm	573	1955	300W	A, A+, D, E, F	89.0601	60.00	72.00

Wingrave - Straight Matt Black 1200mm Height

Size H x W	Watts	BTU	Element Output	Element Type	Code	£ Ex VAT	£ Inc VAT
1200 x 300mm	420	1434	150W	A, A+, D, E, F	89.0682	51.00	61.20
1200 x 400mm	514	1754	300W	A, A+, D, E, F	89.0602	60.00	72.00
1200 x 500mm	611	2085	300W	A, A+, D, E, F	89.0603	63.00	75.60
1200 x 600mm	708	2416	300W	A, A+, D, E, F	89.0604	67.00	80.40

Wingrave - Straight Matt Black 1400mm Height

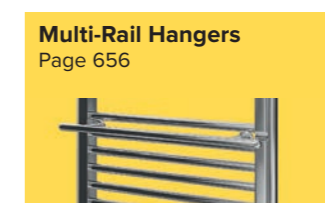
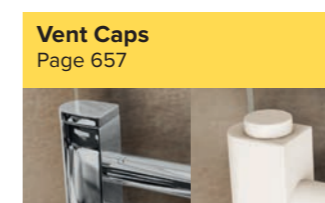
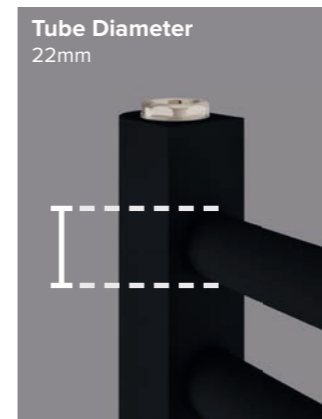
Size H x W	Watts	BTU	Element Output	Element Type	Code	£ Ex VAT	£ Inc VAT
1400 x 300mm	471	1608	150W	A, A+, D, E, F	89.0683	59.00	70.80
1400 x 400mm	571	1948	300W	A, A+, D, E, F	89.0605	67.00	80.40
1400 x 500mm	676	2307	300W	A, A+, D, E, F	89.0606	74.00	88.80
1400 x 600mm	780	2661	450W	A, A+, D, E, F	89.0607	79.00	94.80

Wingrave - Straight Matt Black 1600mm Height

Size H x W	Watts	BTU	Element Output	Element Type	Code	£ Ex VAT	£ Inc VAT
1600 x 300mm	547	1867	300W	A, A+, D, E, F	89.0684	62.00	74.40
1600 x 400mm	669	2283	300W	A, A+, D, E, F	89.0608	75.00	90.00
1600 x 500mm	794	2709	450W	A, A+, D, E, F	89.0609	80.00	96.00
1600 x 600mm	918	3132	450W	A, A+, D, E, F	89.0610	84.00	100.80

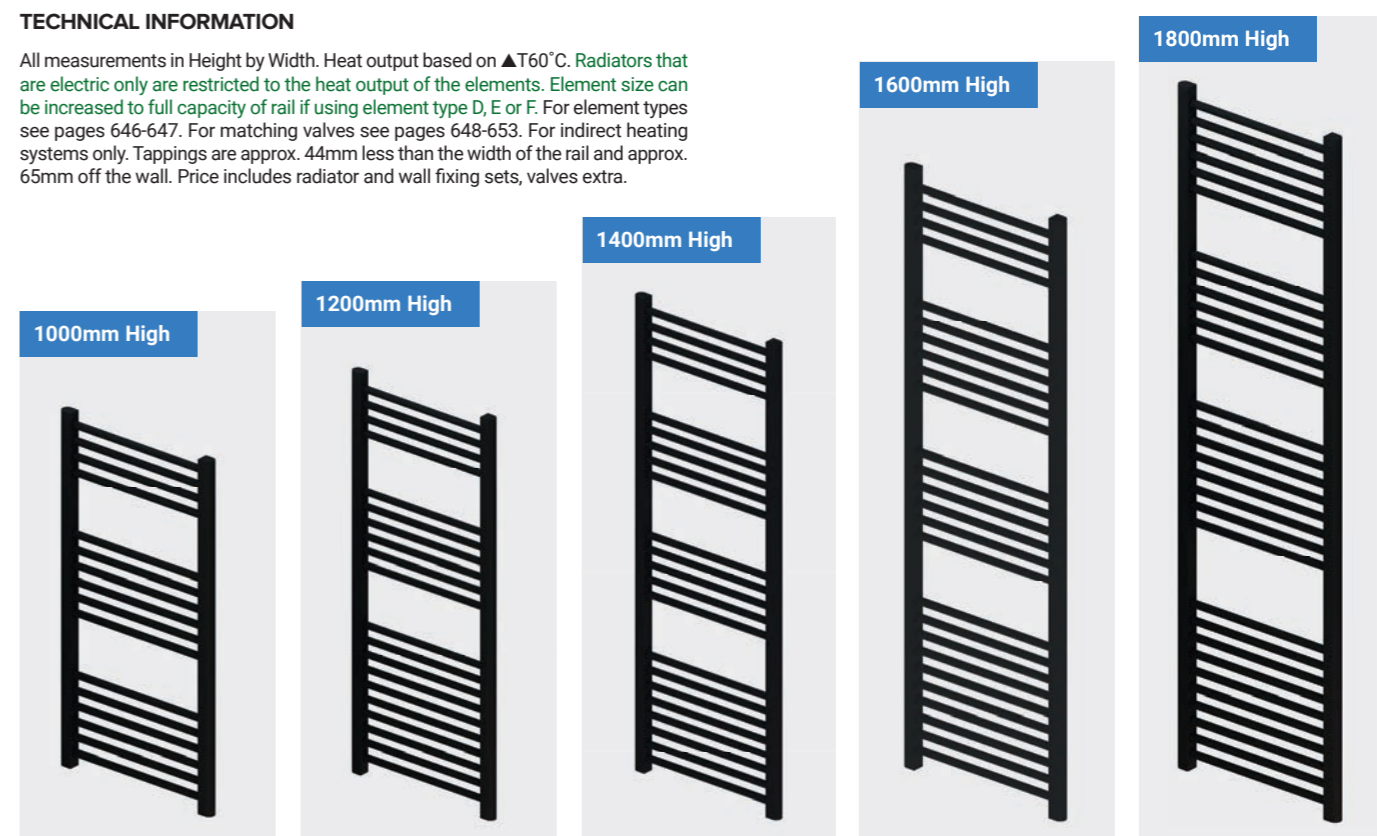
Wingrave - Straight Matt Black 1800mm Height

Size H x W	Watts	BTU	Element Output	Element Type	Code	£ Ex VAT	£ Inc VAT
1800 x 300mm	623	2126	300W	A, A+, D, E, F	89.0685	70.00	84.00
1800 x 400mm	764	2607	450W	A, A+, D, E, F	89.0611	81.00	97.20
1800 x 500mm	908	3098	450W	A, A+, D, E, F	89.0612	95.00	114.00
1800 x 600mm	1051	3586	600W	A, A+, D, E, F	89.0613	96.00	115.20



TECHNICAL INFORMATION

All measurements in Height by Width. Heat output based on $\Delta T60^{\circ}C$. Radiators that are electric only are restricted to the heat output of the elements. Element size can be increased to full capacity of rail if using element type D, E or F. For element types see pages 646-647. For matching valves see pages 648-653. For indirect heating systems only. Tappings are approx. 44mm less than the width of the rail and approx. 65mm off the wall. Price includes radiator and wall fixing sets, valves extra.



Multirail Range

WINGRAVE - STRAIGHT, GLOSS WHITE

NEW
New Sizes



Pictured 89.0127 Gloss White

A contemporary straight towel radiator range which comes in chrome, matt anthracite, matt black, gloss white and matt white finishes. In a wide variety of sizes this range not only adds to your bathroom with design simplicity but also keeps your towels warm.

FEATURES

- 22mm diameter horizontal round tubes.
- Manufactured and tested to EN442 standard
- CE and NF certificates
- 5 Year manufacturer's warranty*
- Can be single or dual fuel, or all electric
- * With conditions

Warranty

5

Year

Diameter (Ø)

22

MM Bars

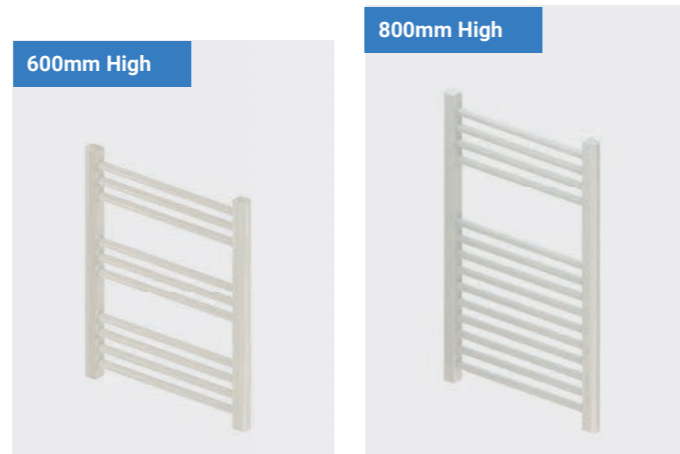
Heating

All Electric

Dual-Fuel



Pictured 89.0122 White with 16.153 Room Divider Bracket Set



Multirail Range

NEW SIZES HIGHLIGHTED

Wingrave - Straight Gloss White 600mm Height

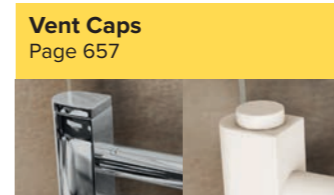
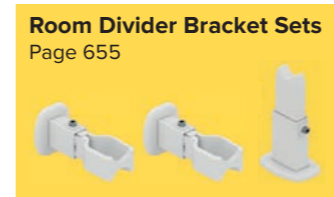
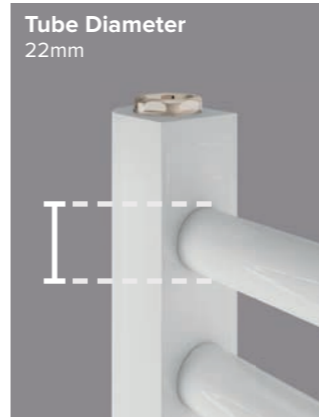
Size H x W	Watts	BTU	Element Output	Element Type	Code	£ Ex VAT	£ Inc VAT
600 x 300mm	222	758	100W	A, A+, D, E	89.0646	36.00	43.20
600 x 400mm	274	935	150W	A, A+, D, E	89.0647	37.00	44.40
600 x 500mm	325	1109	150W	A, A+, D, E, F	89.0648	40.00	48.00
600 x 600mm	377	1287	150W	A, A+, D, E, F	89.0649	42.00	50.40

Wingrave - Straight Gloss White 800mm Height

Size H x W	Watts	BTU	Element Output	Element Type	Code	£ Ex VAT	£ Inc VAT
800 x 300mm	282	963	150W	A, A+, D, E, F	89.0650	37.00	44.40
800 x 400mm	374	1276	150W	A, A+, D, E, F	89.0113	42.00	50.40
800 x 500mm	445	1518	150W	A, A+, D, E, F	89.0118	45.00	54.00
800 x 600mm	517	1764	300W	A, A+, D, E, F	89.0123	48.00	57.60

Wingrave - Straight Gloss White 1000mm Height

Size H x W	Watts	BTU	Element Output	Element Type	Code	£ Ex VAT	£ Inc VAT
1000 x 300mm	343	1171	150W	A, A+, D, E, F	89.0651	42.00	50.40
1000 x 400mm	419	1430	150W	A, A+, D, E, F	89.0114	48.00	57.60
1000 x 500mm	496	1692	300W	A, A+, D, E, F	89.0119	52.00	62.40
1000 x 600mm	573	1955	300W	A, A+, D, E, F	89.0124	55.00	66.00



WINGRAVE - STRAIGHT, GLOSS WHITE

Wingrave - Straight Gloss White 1200mm Height

Size H x W	Watts	BTU	Element Output	Element Type	Code	£ Ex VAT	£ Inc VAT
1200 x 300mm	420	1434	150W	A, A+, D, E, F	89.0652	49.00	58.80
1200 x 400mm	514	1754	300W	A, A+, D, E, F	89.0115	55.00	66.00
1200 x 500mm	611	2085	300W	A, A+, D, E, F	89.0120	58.00	69.60
1200 x 600mm	708	2416	300W	A, A+, D, E, F	89.0125	62.00	74.40

Wingrave - Straight Gloss White 1400mm Height

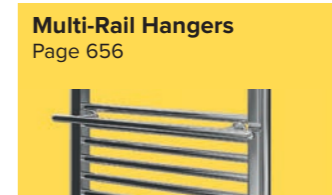
Size H x W	Watts	BTU	Element Output	Element Type	Code	£ Ex VAT	£ Inc VAT
1400 x 300mm	471	1608	150W	A, A+, D, E, F	89.0653	59.00	70.80
1400 x 400mm	571	1948	300W	A, A+, D, E, F	89.0536	64.00	76.80
1400 x 500mm	676	2307	300W	A, A+, D, E, F	89.0537	68.00	81.60
1400 x 600mm	780	2661	450W	A+, D, E, F	89.0538	76.00	91.20

Wingrave - Straight Gloss White 1600mm Height

Size H x W	Watts	BTU	Element Output	Element Type	Code	£ Ex VAT	£ Inc VAT
1600 x 300mm	547	1867	300W	A, A+, D, E, F	89.0654	60.00	72.00
1600 x 400mm	669	2283	300W	A, A+, D, E, F	89.0116	66.00	79.20
1600 x 500mm	794	2709	450W	A+, D, E, F	89.0121	74.00	88.80
1600 x 600mm	918	3132	450W	A+, D, E, F	89.0126	79.00	94.80

Wingrave - Straight Gloss White 1800mm Height

Size H x W	Watts	BTU	Element Output	Element Type	Code	£ Ex VAT	£ Inc VAT
1800 x 300mm	623	2126	300W	A, A+, D, E, F	89.0655	66.00	79.20
1800 x 400mm	764	2607	450W	A+, D, E, F	89.0117	76.00	91.20
1800 x 500mm	908	3098	450W	A+, D, E, F	89.0122	86.00	103.20
1800 x 600mm	1051	3586	600W	A, A+, D, E, F	89.0127	87.00	104.40



TECHNICAL INFORMATION

All measurements in Height by Width. Heat output based on $\Delta T60^{\circ}C$. Radiators that are electric only are restricted to the heat output of the elements. Element size can be increased to full capacity of rail if using element type D, E or F. For element types see pages 646-647. For matching valves see pages 648-653. For indirect heating systems only. Tappings are approx. 44mm less than the width of the rail and approx. 65mm off the wall. Price includes radiator and wall fixing sets, valves extra.



Multirail Range

WINGRAVE - STRAIGHT, MATT WHITE

NEW
New Sizes



Pictured 89.0066 Matt White

A contemporary straight towel radiator range which comes in chrome, matt anthracite, matt black, gloss white and matt white finishes. In a wide variety of sizes this range not only adds to your bathroom with design simplicity but also keeps your towels warm.

FEATURES

- 22mm diameter horizontal round tubes.
 - Manufactured and tested to EN442 standard
 - CE and NF certificates
 - 5 Year manufacturer's warranty*
 - Can be single or dual fuel, or all electric
- * With conditions

Warranty

5

Year

Diameter (Ø)

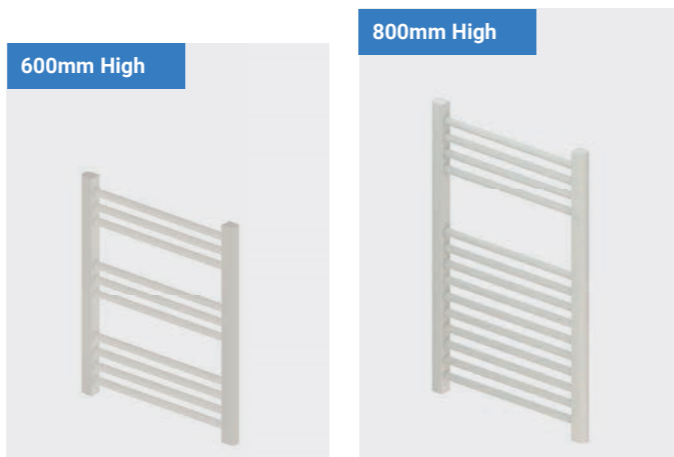
22

MM Bars

Heating

All Electric

Dual-Fuel



Multirail Range

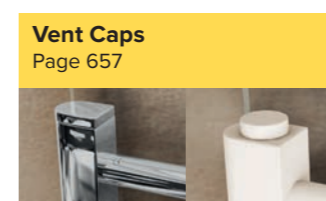
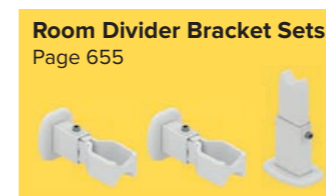
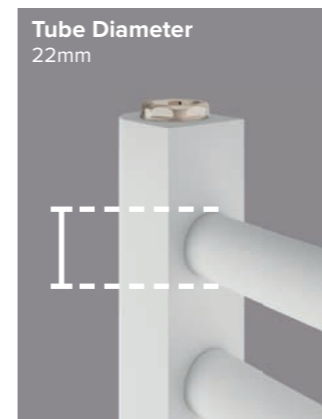
WINGRAVE - STRAIGHT, MATT WHITE

NEW SIZES HIGHLIGHTED

Wingrave - Straight Matt White 600mm Height								
Size H x W	Watts	BTU	Element Output	Element Type	Code	£ Ex VAT	£ Inc VAT	
600 x 300mm	222	758	100W	A, A+, D, E	89.0656	37.00	44.40	
600 x 400mm	274	935	150W	A, A+, D, E	89.0657	39.00	46.80	
600 x 500mm	325	1109	150W	A, A+, D, E, F	89.0658	42.00	50.40	
600 x 600mm	377	1287	150W	A, A+, D, E, F	89.0659	44.00	50.40	

Wingrave - Straight Matt White 800mm Height								
Size H x W	Watts	BTU	Element Output	Element Type	Code	£ Ex VAT	£ Inc VAT	
800 x 300mm	282	963	150W	A, A+, D, E, F	89.0660	39.00	46.80	
800 x 400mm	374	1276	150W	A, A+, D, E, F	89.0053	46.00	55.20	
800 x 500mm	445	1518	150W	A, A+, D, E, F	89.0058	50.00	60.00	
800 x 600mm	517	1764	300W	A, A+, D, E, F	89.0063	52.00	62.40	

Wingrave - Straight Matt White 1000mm Height								
Size H x W	Watts	BTU	Element Output	Element Type	Code	£ Ex VAT	£ Inc VAT	
1000 x 300mm	343	1171	150W	A, A+, D, E, F	89.0661	44.00	52.80	
1000 x 400mm	419	1430	150W	A, A+, D, E, F	89.0054	52.00	62.40	
1000 x 500mm	496	1692	300W	A, A+, D, E, F	89.0059	56.00	67.20	
1000 x 600mm	573	1955	300W	A, A+, D, E, F	89.0064	60.00	72.00	

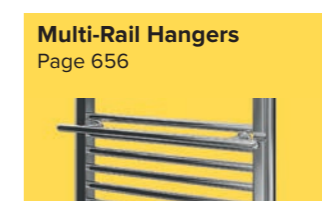


Wingrave - Straight Matt White 1200mm Height								
Size H x W	Watts	BTU	Element Output	Element Type	Code	£ Ex VAT	£ Inc VAT	
1200 x 300mm	420	1434	150W	A, A+, D, E, F	89.0662	51.00	61.20	
1200 x 400mm	514	1754	300W	A, A+, D, E, F	89.0055	60.00	72.00	
1200 x 500mm	611	2085	300W	A, A+, D, E, F	89.0060	63.00	75.60	
1200 x 600mm	708	2416	300W	A, A+, D, E, F	89.0065	67.00	80.40	

Wingrave - Straight Matt White 1400mm Height								
Size H x W	Watts	BTU	Element Output	Element Type	Code	£ Ex VAT	£ Inc VAT	
1400 x 300mm	471	1608	150W	A, A+, D, E, F	89.0663	59.00	70.80	
1400 x 400mm	571	1948	300W	A, A+, D, E, F	89.0539	67.00	80.40	
1400 x 500mm	676	2307	300W	A, A+, D, E, F	89.0540	74.00	88.80	
1400 x 600mm	780	2661	450W	A+, D, E, F	89.0541	79.00	94.80	

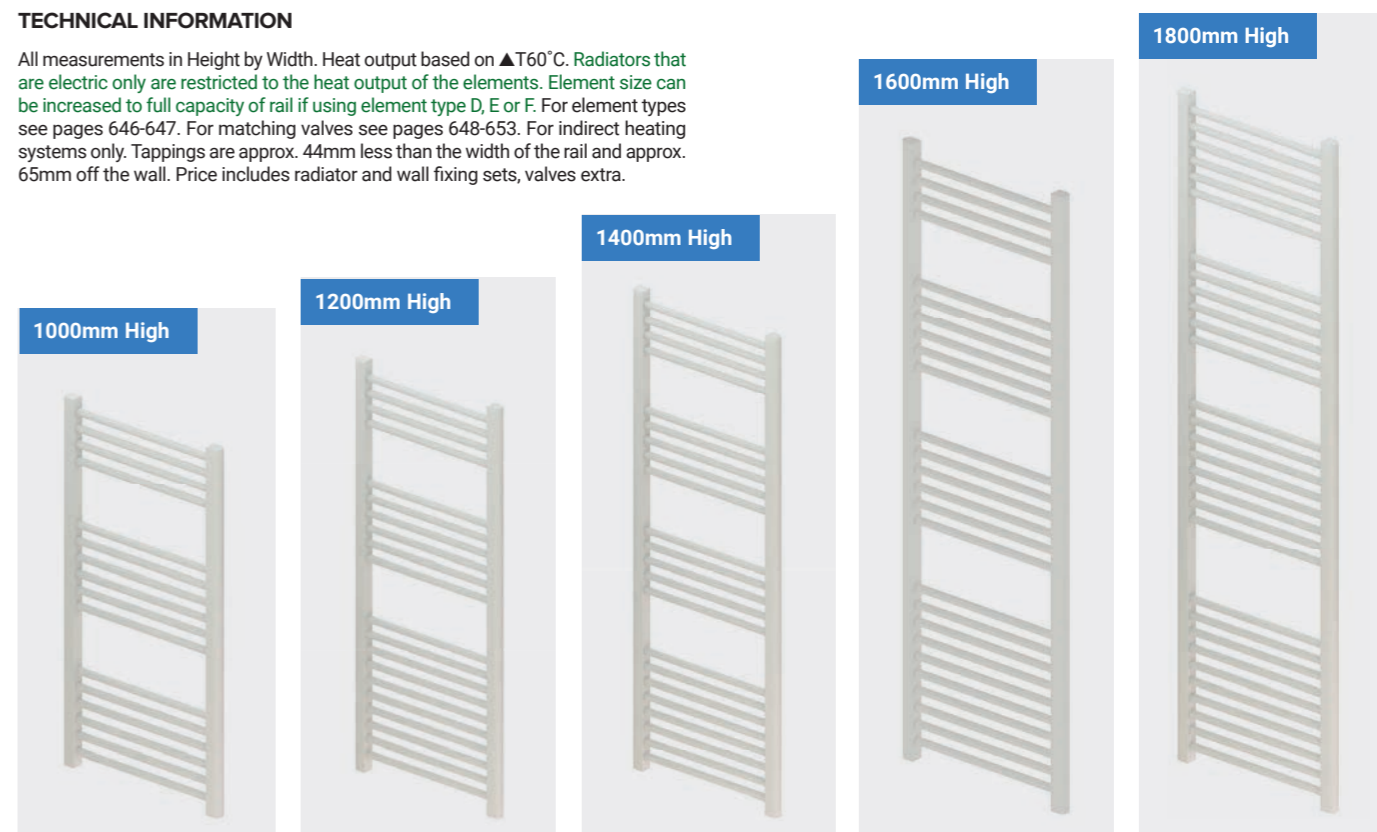
Wingrave - Straight Matt White 1600mm Height								
Size H x W	Watts	BTU	Element Output	Element Type	Code	£ Ex VAT	£ Inc VAT	
1600 x 300mm	547	1867	300W	A, A+, D, E, F	89.0664	62.00	74.40	
1600 x 400mm	669	2283	300W	A, A+, D, E, F	89.0056	75.00	90.00	
1600 x 500mm	794	2709	450W	A+, D, E, F	89.0061	80.00	96.00	
1600 x 600mm	918	3132	450W	A+, D, E, F	89.0066	84.00	100.80	

Wingrave - Straight Matt White 1800mm Height								
Size H x W	Watts	BTU	Element Output	Element Type	Code	£ Ex VAT	£ Inc VAT	
1800 x 300mm	623	2126	300W	A, A+, D, E, F	89.0665	70.00	84.00	
1800 x 400mm	764	2607	450W	A+, D, E, F	89.0057	81.00	97.20	
1800 x 500mm	908	3098	450W	A+, D, E, F	89.0062	95.00	114.00	
1800 x 600mm	1051	3586	600W	A, A+, D, E, F	89.0067	96.00	115.20	



TECHNICAL INFORMATION

All measurements in Height by Width. Heat output based on ΔT60°C. Radiators that are electric only are restricted to the heat output of the elements. Element size can be increased to full capacity of rail if using element type D, E or F. For element types see pages 646-647. For matching valves see pages 648-653. For indirect heating systems only. Tappings are approx. 44mm less than the width of the rail and approx. 65mm off the wall. Price includes radiator and wall fixing sets, valves extra.



Multirail Range

WINGRAVE - CURVED GLOSS WHITE

NEW



Pictured 89.0704

A high quality contemporary range available in a curved gloss white finish. Available with robe hook accessories. This range is the ultimate in simplicity of style and practicality for your bathroom, keeping your towels warm.

FEATURES

- 22mm diameter horizontal round tubes.
- Manufactured and tested to EN442 standard
- CE and NF certificates
- 5 Year manufacturer's warranty*
- Can be single or dual fuel, or all electric
- * With conditions

Warranty 5 Year	Diameter (Ø) 22 MM Bars	Heating 	All Electric 	Dual-Fuel
-------------------------------------	---	--------------------	-------------------------	----------------------

Multirail Range

WINGRAVE - CURVED GLOSS WHITE

Wingrave - Curved Gloss White 800mm Height

Size H x W	Watts	BTU	Element Output	Element Type	Code	£ Ex VAT	£ Inc VAT
800 x 400mm	378	1290	150W	A, A+, D, E, F	89.0696	44.00	52.80
800 x 500mm	450	1534	150W	A, A+, D, E, F	89.0697	48.00	57.60
800 x 600mm	523	1783	300W	A, A+, D, E, F	89.0698	51.00	61.20

Wingrave - Curved Gloss White 1000mm Height

Size H x W	Watts	BTU	Element Output	Element Type	Code	£ Ex VAT	£ Inc VAT
1000 x 400mm	424	1446	150W	A, A+, D, E or F	89.0699	51.00	61.20
1000 x 500mm	502	1710	300W	A, A+, D, E or F	89.0700	55.00	66.00
1000 x 600mm	580	1976	300W	A, A+, D, E or F	89.0701	58.00	69.60

Wingrave - Curved Gloss White 1200mm Height

Size H x W	Watts	BTU	Element Output	Element Type	Code	£ Ex VAT	£ Inc VAT
1200 x 400mm	520	1773	300W	A, A+, D, E or F	89.0702	58.00	69.60
1200 x 500mm	618	2107	300W	A, A+, D, E or F	89.0703	61.00	73.20
1200 x 600mm	716	2442	300W	A+, D, E or F	89.0704	65.00	78.00

Wingrave - Curved Gloss White 1600mm Height

Size H x W	Watts	BTU	Element Output	Element Type	Code	£ Ex VAT	£ Inc VAT
1600 x 400mm	677	2307	300W	A, A+, D, E or F	89.0705	71.00	85.20
1600 x 500mm	803	2738	450W	A+, D, E or F	89.0706	78.00	93.60
1600 x 600mm	928	3165	450W	A+, D, E or F	89.0707	83.00	99.60

Wingrave - Curved Gloss White 1800mm Height

Size H x W	Watts	BTU	Element Output	Element Type	Code	£ Ex VAT	£ Inc VAT
1800 x 400mm	773	2635	450W	A+, D, E or F	89.0708	80.00	96.00
1800 x 500mm	918	3131	450W	A+, D, E or F	89.0709	91.00	109.20
1800 x 600mm	1063	3624	600W	A, A+, D, E or F	89.0710	92.00	110.40

D Shape Vent Caps
Page 657



Round Vent Caps
Page 657

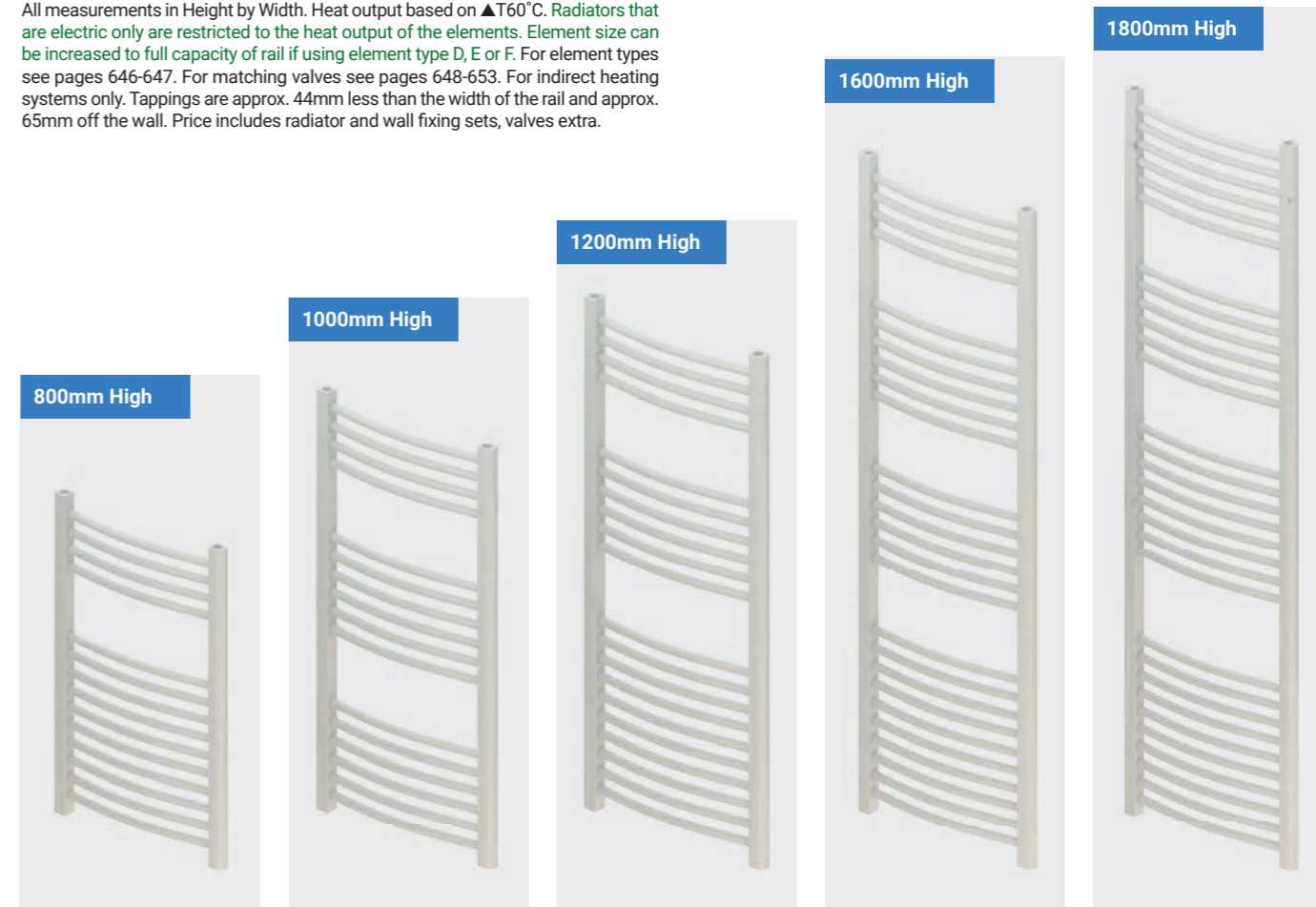


Robe Hooks
Page 656



TECHNICAL INFORMATION

All measurements in Height by Width. Heat output based on ▲T60°C. Radiators that are electric only are restricted to the heat output of the elements. Element size can be increased to full capacity of rail if using element type D, E or F. For element types see pages 646-647. For matching valves see pages 648-653. For indirect heating systems only. Tappings are approx. 44mm less than the width of the rail and approx. 65mm off the wall. Price includes radiator and wall fixing sets, valves extra.



Designer Range

HELMSLEY



Horizontal Bars (mm)

All Helmsley Models:
Height 70 x Depth 11

Pictured 89.0637 Matt Anthracite



Pictured 89.0616 Matt White

Warranty

5

Year

Heating

All Electric

Dual-Fuel

A brand new edition to the Eastbrook Multirail Range. Available in a variety of colours to suit any bathroom. The generous spacing between the horizontal tubes allows for maximum towel drying.

FEATURES

- Height 70mm x Depth 11mm horizontal bars
 - Manufactured and tested to EN442 standard.
 - CE Certification.
 - 4 colours always available from stock.
 - Can be reverse handed (left or right)
 - Can be single, dual fuel or all electric.
 - State-of-art welding technology.
 - 5 Year Manufacturer's Warranty*
- * With conditions



SWATCHES AVAILABLE

Round Vent Caps

Page 657



Designer Range

HELMSLEY

Helmsley Towel Rail - Matt White							
Size H x W	Watts	BTU	Element Output	Element Type	Code	£ Ex VAT	£ Inc VAT
800 x 500mm	504	1718	300W	A, A+, D, E	89.0614	180.00	216.00
800 x 600mm	582	1986	300W	A, A+, D, E	89.0615	200.00	301.20
1150 x 500mm	682	2327	300W	A, A+, D, E	89.0616	250.00	300.00
1150 x 600mm	786	2681	450W	A+, D, E	89.0617	278.00	333.60
1400 x 500mm	853	2910	450W	A+, D, E	89.0618	271.00	325.20
1400 x 600mm	984	3354	600W	A, A+, D, E	89.0619	302.00	362.40
1640 x 500mm	1022	3484	600W	A, A+, D, E	89.0620	293.00	351.60
1640 x 600mm	1180	4023	600W	A, A+, D, E	89.0621	328.00	393.60

Helmsley Towel Rail - Matt Grey							
Size H x W	Watts	BTU	Element Output	Element Type	Code	£ Ex VAT	£ Inc VAT
800 x 500mm	504	1718	300W	A, A+, D, E	89.0622	180.00	216.00
800 x 600mm	582	1986	300W	A, A+, D, E	89.0623	200.00	240.00
1150 x 500mm	682	2327	300W	A, A+, D, E	89.0624	250.00	300.00
1150 x 600mm	786	2681	450W	A+, D, E	89.0625	278.00	333.60
1400 x 500mm	853	2910	450W	A+, D, E	89.0626	271.00	325.20
1400 x 600mm	984	3354	600W	A, A+, D, E	89.0627	302.00	362.40
1640 x 500mm	1022	3484	600W	A, A+, D, E	89.0628	293.00	351.60
1640 x 600mm	1180	4023	600W	A, A+, D, E	89.0629	328.00	393.60

Helmsley Towel Rail - Matt Anthracite							
Size H x W	Watts	BTU	Element Output	Element Type	Code	£ Ex VAT	£ Inc VAT
800 x 500mm	504	1718	300W	A, A+, D, E	89.0630	180.00	216.00
800 x 600mm	582	1986	300W	A, A+, D, E	89.0631	200.00	240.00
1150 x 500mm	682	2327	300W	A, A+, D, E	89.0632	250.00	300.00
1150 x 600mm	786	2681	450W	A+, D, E	89.0633	278.00	333.60
1400 x 500mm	853	2910	450W	A+, D, E	89.0634	271.00	325.20
1400 x 600mm	984	3354	600W	A, A+, D, E	89.0635	302.00	362.40
1640 x 500mm	1022	3484	600W	A, A+, D, E	89.0636	293.00	351.60
1640 x 600mm	1180	4023	600W	A, A+, D, E	89.0637	328.00	393.60

Helmsley Towel Rail - Matt Black							
Size H x W	Watts	BTU	Element Output	Element Type	Code	£ Ex VAT	£ Inc VAT
800 x 500mm	504	1718	300W	A, A+, D, E	89.0638	180.00	216.00
800 x 600mm	582	1986	300W	A, A+, D, E	89.0639	200.00	240.00
1150 x 500mm	682	2327	300W	A, A+, D, E	89.0640	250.00	300.00
1150 x 600mm	786	2681	450W	A+, D, E	89.0641	278.00	333.60
1400 x 500mm	853	2910	450W	A+, D, E	89.0642	271.00	325.20
1400 x 600mm	984	3354	600W	A, A+, D, E	89.0643	302.00	362.40
1640 x 500mm	1022	3484	600W	A, A+, D, E	89.0644	293.00	542.40
1640 x 600mm	1180	4023	600W	A, A+, D, E	89.0645	328.00	393.60

TECHNICAL INFORMATION

All measurements in Height by Width. Heat output based on $\Delta T60^{\circ}C$. Radiators that are electric only are restricted to the heat output of the elements. Element size can be increased to full capacity of rail if using element type D or E. For element types see pages 646-647. For matching valves see pages 648-653. For indirect heating systems only. Tappings are approx. 50mm and approx. 79mm off the wall. Price includes radiator and wall fixing sets, valves extra.

Matt White

Matt Grey

Matt Anthracite

Matt Black

State-Of-Art Welding

Twin TRV's
Page 648

Tappings: 50mm

Multirail Range

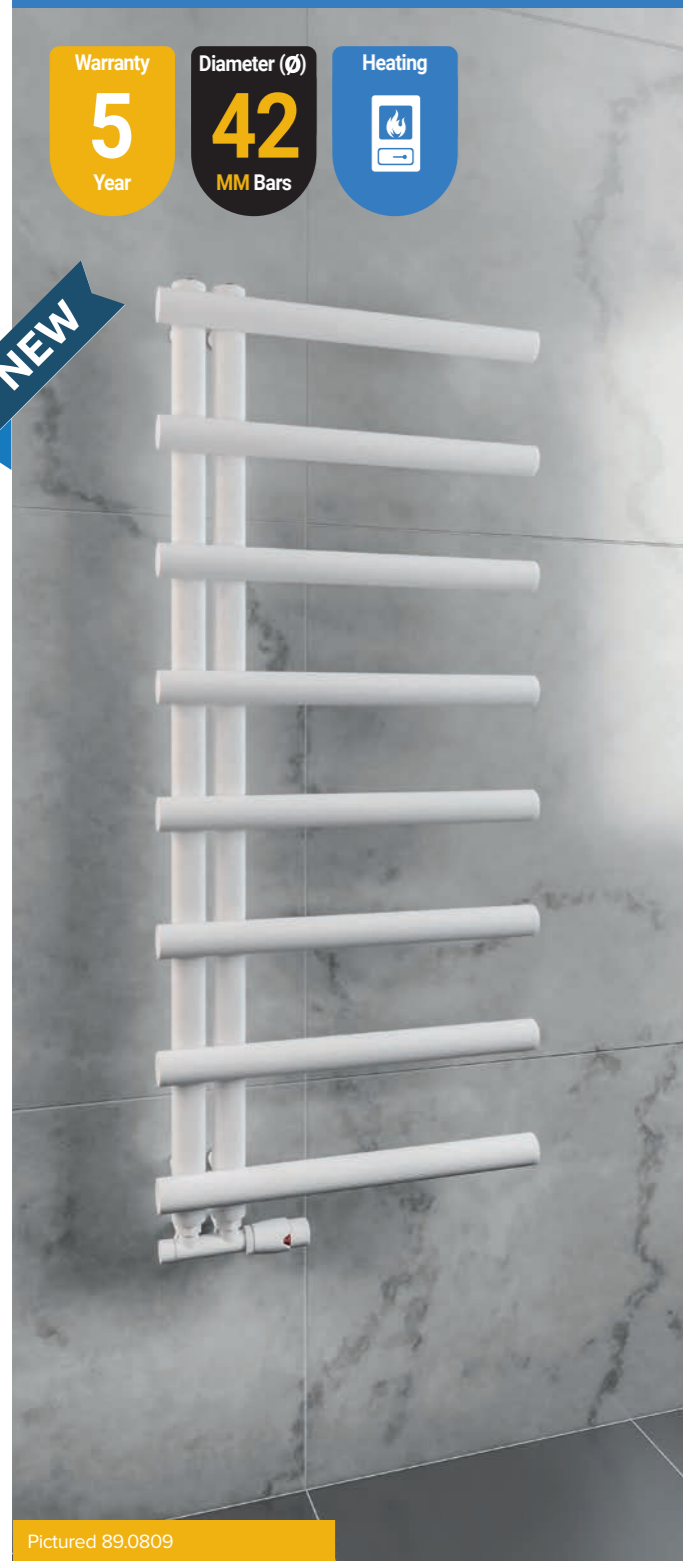
MARLOW E-STYLE

Warranty **5** Year

Diameter (Ø) **42** MM Bars

Heating

NEW



Pictured 89.0809



Pictured 89.0835

A brand new edition to the Eastbrook Multirail Range. Available in a variety of colours to suit any bathroom. The generous spacing between the horizontal tubes allows for maximum towel drying.

FEATURES

- 42mm diameter horizontal & vertical round profiles.
- Manufactured and tested to EN442 standard.
- CE Certification.
- Can be reverse handed (left or right)
- 5 colours always available from stock.
- State-of-art welding technology.
- 5 Year Manufacturer's Warranty*
- * With conditions



SWATCHES AVAILABLE

Round Vent Caps

Page 657



Multirail Range

MARLOW E-STYLE

Marlow E-Style Towel Rail - Matt White

Size H x W	Watts	BTU	Element Output	Element Type	Code	£ Ex VAT	£ Inc VAT
850 x 500mm	396	1351	N/A	N/A	89.0807	172.00	206.40
850 x 600mm	445	1518	N/A	N/A	89.0808	192.00	230.40
1150 x 500mm	529	1805	N/A	N/A	89.0809	237.00	284.40
1150 x 600mm	594	2027	N/A	N/A	89.0810	265.00	318.00
1750 x 500mm	798	2723	N/A	N/A	89.0811	303.00	363.60
1750 x 600mm	896	3057	N/A	N/A	89.0812	339.00	406.80

Marlow E-Style Towel Rail - Matt Grey

Size H x W	Watts	BTU	Element Output	Element Type	Code	£ Ex VAT	£ Inc VAT
850 x 500mm	396	1351	N/A	N/A	89.0819	172.00	206.40
850 x 600mm	445	1518	N/A	N/A	89.0820	192.00	230.40
1150 x 500mm	529	1805	N/A	N/A	89.0821	237.00	284.40
1150 x 600mm	594	2027	N/A	N/A	89.0822	265.00	318.00
1750 x 500mm	798	2723	N/A	N/A	89.0823	303.00	363.60
1750 x 600mm	896	3057	N/A	N/A	89.0824	339.00	406.80

Marlow E-Style Towel Rail - Chrome

Size H x W	Watts	BTU	Element Output	Element Type	Code	£ Ex VAT	£ Inc VAT
850 x 500mm	265	904	N/A	N/A	89.0831	219.00	262.80
850 x 600mm	297	1013	N/A	N/A	89.0832	245.00	294.00
1150 x 500mm	355	1211	N/A	N/A	89.0833	303.00	363.60
1150 x 600mm	398	1357	N/A	N/A	89.0834	339.00	406.80
1750 x 500mm	533	1819	N/A	N/A	89.0835	420.00	504.00
1750 x 600mm	599	2044	N/A	N/A	89.0836	471.00	565.20

Marlow E-Style Towel Rail - Matt Anthracite

Size H x W	Watts	BTU	Element Output	Element Type	Code	£ Ex VAT	£ Inc VAT
850 x 500mm	396	1351	N/A	N/A	89.0813	172.00	206.40
850 x 600mm	445	1518	N/A	N/A	89.0814	192.00	230.40
1150 x 500mm	529	1805	N/A	N/A	89.0815	237.00	284.40
1150 x 600mm	594	2027	N/A	N/A	89.0816	265.00	318.00
1750 x 500mm	798	2723	N/A	N/A	89.0817	303.00	363.60
1750 x 600mm	896	3057	N/A	N/A	89.0818	339.00	406.80

Marlow E-Style Towel Rail - Matt Cappuccino

Size H x W	Watts	BTU	Element Output	Element Type	Code	£ Ex VAT	£ Inc VAT
850 x 500mm	396	1351	N/A	N/A	89.0825	172.00	206.40
850 x 600mm	445	1518	N/A	N/A	89.0826	192.00	230.40
1150 x 500mm	529	1805	N/A	N/A	89.0827	237.00	284.40
1150 x 600mm	594	2027	N/A	N/A	89.0828	265.00	318.00
1750 x 500mm	798	2723	N/A	N/A	89.0829	303.00	363.60
1750 x 600mm	896	3057	N/A	N/A	89.0830	339.00	406.80

Twin TRV's

Page 648



TECHNICAL INFORMATION

All measurements in Height by Width. Heat output based on $\Delta T60^{\circ}C$. Not suitable for elements. For matching valves see pages 648-653. For indirect heating systems only. Tappings are 50mm and approx. 85mm off the wall. Price includes radiator and wall fixing sets, valves extra.

Matt White



Matt Grey



Chrome



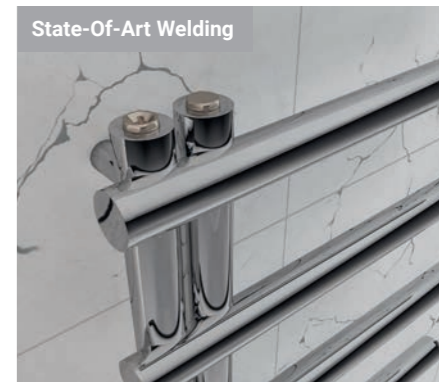
Matt Anthracite



Matt Cappuccino



State-Of-Art Welding



Designer Range

TUNSTALL DOUBLE VERTICAL

NEW



Pictured 81.0142 Matt White

With its double vertical profile construction, Tunstall Double will create a fresh new look for any room in the house. Available in two colour finishes.

FEATURES

- Double vertical profile construction
- Manufactured and tested to EN442 standard
- 5 Year manufacturer's warranty*
- CE Certificate
- Not suitable for elements
- * With conditions

TECHNICAL INFORMATION

All measurements in Height by Width. Heat output based on $\Delta T60^{\circ}\text{C}$. For matching valves see pages 648-653. For indirect heating systems only. Tappings are the width of the rail and approx. 65mm off the wall. Projection from wall 104mm. Price includes radiator and wall fixing sets, valves extra.

Warranty
5
Year

Heating

Round Vent Caps
Page 657



Pictured 81.0159 Matt Anthracite

Tunstall Double Vertical Radiators - Matt White							
Size H x W	Watts	BTU	Element Output	Element Type	Code	£ Ex VAT	£ Inc VAT
1800 x 280mm	952	3249	N/A	N/A	81.0140	159.00	190.80
1800 x 420mm	1429	4877	N/A	N/A	81.0141	238.00	285.60
1800 x 630mm	2142	7311	N/A	N/A	81.0142	358.00	429.60

Tunstall Double Vertical Radiators - Matt Anthracite							
Size H x W	Watts	BTU	Element Output	Element Type	Code	£ Ex VAT	£ Inc VAT
1800 x 280mm	952	3249	N/A	N/A	81.0158	162.00	194.40
1800 x 420mm	1429	4877	N/A	N/A	81.0159	244.00	292.80
1800 x 630mm	2142	7311	N/A	N/A	81.0160	365.00	438.00



Double profile construction

Designer Range

TUNSTALL DOUBLE HORIZONTAL

NEW



Pictured 81.0137 Matt White



Pictured 81.0157 Matt Anthracite

With its double vertical profile construction, Tunstall Double will provide a stylish focus to any room in the house. Available in two colour finishes.

FEATURES

- Double vertical profile construction
- Manufactured and tested to EN442 standard
- 5 Year manufacturer's warranty*
- CE and NF Certificates
- Not suitable for elements
- * With conditions

TECHNICAL INFORMATION

All measurements in Height by Width. Heat output based on $\Delta T60^{\circ}\text{C}$. For matching valves see pages 648-653. For indirect heating systems only. Tappings are the width of the rail and approx. 65mm off the wall. Projection from wall 104mm. Price includes radiator and wall fixing sets, valves extra.

Warranty
5
Year

Heating

Round Vent Caps
Page 657



Tunstall Double Horizontal Radiators - Matt White							
Size H x W	Watts	BTU	Element Output	Element Type	Code	£ Ex VAT	£ Inc VAT
600 x 589mm	818	2792	N/A	N/A	81.0136	173.00	207.60
600 x 825mm	1145	3908	N/A	N/A	81.0137	242.00	290.40
600 x 1002mm	1391	4747	N/A	N/A	81.0138	293.00	351.60
600 x 1179mm	1836	6266	N/A	N/A	81.0139	345.00	414.00

Tunstall Double Horizontal Radiators - Matt Anthracite							
Size H x W	Watts	BTU	Element Output	Element Type	Code	£ Ex VAT	£ Inc VAT
600 x 589mm	818	2792	N/A	N/A	81.0154	177.00	212.40
600 x 825mm	1145	3908	N/A	N/A	81.0155	247.00	296.40
600 x 1002mm	1391	4747	N/A	N/A	81.0156	299.00	358.80
600 x 1179mm	1836	6266	N/A	N/A	81.0157	352.00	422.40



Double profile construction

Designer Range

TUNSTALL DOUBLE TOWEL RAIL

NEW



Warranty **5** Year

Heating

Dual-Fuel

Horizontal Sizes

H560 X W1000

Pictured 81.0149



Vertical Sizes

H800 X W500/600
H1200 X W500/600
H1600 X W500/600

Double horizontal profiles in elliptical shape of this towel rail will warm your towels and also your bathroom. Available in two colour options.

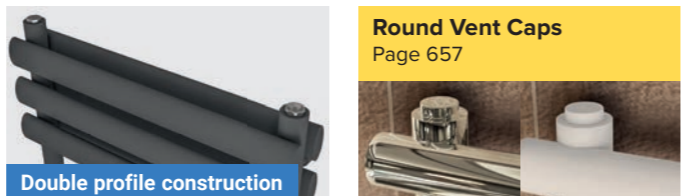
- FEATURES**
- Double horizontal profile construction
 - Manufactured and tested to EN442 standard
 - 5 Year manufacturer's warranty*
 - CE Certificate
 - Can be single, dual fuel or all electric
 - * With conditions

Tunstall Double Towel Rails - Matt White							
Size H x W	Watts	BTU	Element Output	Element Type	Code	£ Ex VAT	£ Inc VAT
560 x 1000mm	1060	3618	600W	A, A+, D, E	81.0149	234.00	280.80
800 x 500mm	620	2116	300W	A, A+, D, E	81.0143	181.00	217.20
800 x 600mm	742	2532	450W	A+, D, E	81.0146	193.00	231.60
1200 x 500mm	893	3048	450W	A+, D, E	81.0144	260.00	312.00
1200 x 600mm	1072	3659	600W	A, A+, D, E	81.0147	279.00	334.80
1600 x 500mm	1170	3993	600W	A, A+, D, E	81.0145	340.00	408.00
1600 x 600mm	1405	4795	750W	A+, D, E	81.0148	364.00	436.80

Tunstall Double Towel Rails - Matt Anthracite							
Size H x W	Watts	BTU	Element Output	Element Type	Code	£ Ex VAT	£ Inc VAT
560 x 1000mm	1060	3618	600W	A, A+, D, E	81.0167	234.00	280.80
800 x 500mm	620	2116	300W	A, A+, D, E	81.0161	181.00	217.20
800 x 600mm	742	2532	450W	A+, D, E	81.0164	193.00	231.60
1200 x 500mm	893	3048	450W	A+, D, E	81.0162	260.00	312.00
1200 x 600mm	1072	3659	600W	A, A+, D, E	81.0165	279.00	334.80
1600 x 500mm	1170	3993	600W	A, A+, D, E	81.0163	340.00	408.00
1600 x 600mm	1405	4795	750W	A+, D, E	81.0166	364.00	436.80

TECHNICAL INFORMATION

All measurements in Height by Width. Heat output based on ▲T60°C. Radiators that are electric only are restricted to the heat output of the elements. Element size can be increased to full capacity of rail if using element type D or E. For element types see pages 646-647. For matching valves see pages 648-653. For indirect heating systems only. Tappings are approx. 46mm less than the width of the rail and approx. 70-75mm off the wall. Price includes radiator and wall fixing sets, valves extra.



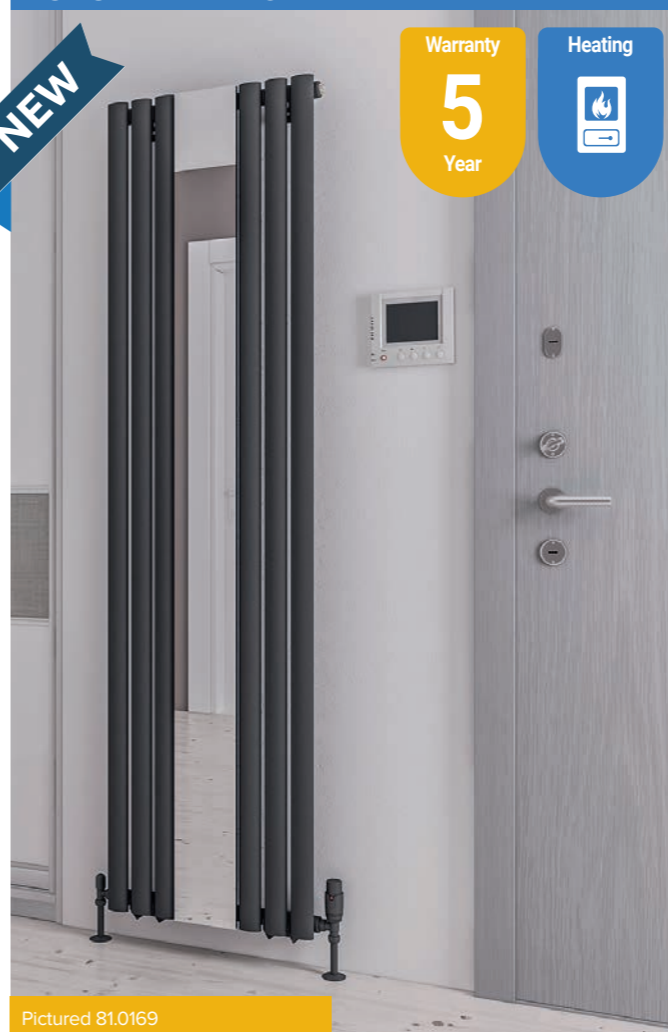
Round Vent Caps
Page 657

Double profile construction

Designer Range

TUNSTALL MIRROR

NEW



Warranty **5** Year

Heating

Pictured 81.0169

Profiles in elliptical shape of this radiator is in perfect harmony with the mirror placed in the middle. Available in two colour options.

- FEATURES**
- Single vertical profile construction, mirror width 145mm.
 - Manufactured and tested to EN442 standard
 - 5 Year manufacturer's warranty*
 - CE Certificate
 - Not suitable for elements
 - * With conditions

Tunstall Mirror Radiators - Matt White							
Size H x W	Watts	BTU	Element Output	Element Type	Code	£ Ex VAT	£ Inc VAT
1800 x 380mm	705	2406	N/A	N/A	81.0150	191.00	229.20
1800 x 500mm	1056	3604	N/A	N/A	81.0151	284.00	340.80

Tunstall Mirror Radiators - Matt Anthracite							
Size H x W	Watts	BTU	Element Output	Element Type	Code	£ Ex VAT	£ Inc VAT
1800 x 380mm	705	2406	N/A	N/A	81.0168	191.00	229.20
1800 x 500mm	1056	3604	N/A	N/A	81.0169	284.00	340.80

TECHNICAL INFORMATION

All measurements in Height by Width. Heat output based on ▲T60°C. For matching valves see pages 648-653. For indirect heating systems only. Tappings are the width of the rail and approx. 40mm off the wall. Projection from wall 79mm. Mirror width 145mm. Price includes radiator and wall fixing sets, valves extra.



Round Vent Caps
Page 657

Single profile construction

TUNSTALL DOUBLE MIRROR

NEW



Warranty **5** Year

Heating

Pictured 81.0152

Profiles in elliptical shape of this radiator is in perfect harmony with the mirror placed in the middle. Available in two colour options.

- FEATURES**
- Double vertical profile construction, mirror width 145mm.
 - Manufactured and tested to EN442 standard
 - 5 Year manufacturer's warranty*
 - CE Certificate
 - Not suitable for elements
 - * With conditions

Tunstall Double Mirror Radiators - Matt White							
Size H x W	Watts	BTU	Element Output	Element Type	Code	£ Ex VAT	£ Inc VAT
1800 x 380mm	1102	3761	N/A	N/A	81.0152	231.00	277.20
1800 x 500mm	1654	5645	N/A	N/A	81.0153	345.00	414.00

Tunstall Double Mirror Radiators - Matt Anthracite							
Size H x W	Watts	BTU	Element Output	Element Type	Code	£ Ex VAT	£ Inc VAT
1800 x 380mm	1102	3761	N/A	N/A	81.0170	231.00	277.20
1800 x 500mm	1654	5645	N/A	N/A	81.0171	345.00	414.00

TECHNICAL INFORMATION

All measurements in Height by Width. Heat output based on ▲T60°C. For matching valves see pages 648-653. For indirect heating systems only. Tappings are the width of the rail and approx. 65mm off the wall. Projection from wall 104mm. Mirror width 145mm. Price includes radiator and wall fixing sets, valves extra.



Round Vent Caps
Page 657

Double profile construction

Designer Range

ADDINGTON TYPE10 - GLOSS WHITE

NEW
New Sizes



Pictured 91.0015 Gloss White (Fitted Vertically) & 91.0081 x2 Towel Hangers



Vertical Bars (mm)

All Addington Models:
Height 70 x Depth 11

Pictured 91.0003 Gloss White (Fitted Vertically)



Towel Hangers
Page 548-549

Round Vent Caps
Page 657

Warranty
5
Year

Heating

All Electric
Dual-Fuel

HEATING NOTE:
Radiators that are electric only are restricted to the heat output of the elements.

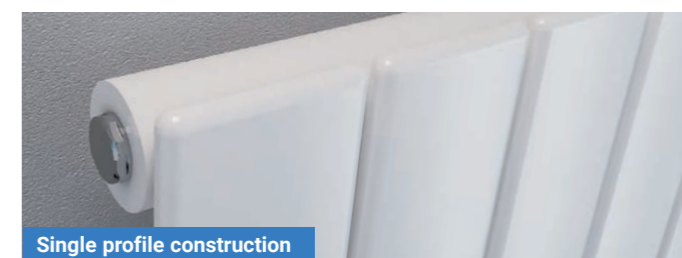
Pictured 91.0134 Gloss White (Fitted Vertically)

Designer Range

ADDINGTON TYPE10 - GLOSS WHITE



Pictured 91.0003 Gloss White (Fitted Vertically)



Single profile construction

Radiator can be installed vertically or horizontally using the pre-fitted wall bracket holders. (Below images)



TECHNICAL INFORMATION

All measurements in Height by Width. Heat output based on $\Delta T60^{\circ}C$. Radiators that are electric only are restricted to the heat output of the elements. Element size can be increased to full capacity of rail if using element type C or E. For element types see pages 646-647. For matching valves see pages 648-653. Comes with pre-fitted flow diverter. Flow diverter must remain in place when radiator installed on central heating system (only for vertical installations). For indirect heating systems only. In vertical installation, tappings are the width of the rail and approx. 40mm off the wall. In horizontal installation, tappings are approx. 50mm less than the width of the rail and approx. 40mm off the wall. Price includes radiator and wall fixing sets, valves extra.

MAGNETIC TOWEL HANGERS



Round Magnetic Towel Hangers

Size	Colour	Code	£ Ex VAT	£ Inc VAT
600mm	Gloss White	101.0071	59.00	70.80
600mm	Chrome	101.0072	64.00	76.80



Square Magnetic Towel Hangers

Size	Colour	Code	£ Ex VAT	£ Inc VAT
600mm	Gloss White	101.0073	60.00	72.00
600mm	Chrome	101.0074	67.00	80.40

Both Round & Square towel hangers come in three unassembled pieces. Please cut 600mm bar to required column-to-column length. Holds up to 5kg weight.

NEW SIZES HIGHLIGHTED

A designer radiator range available to fit both vertically and horizontally designs in a gloss white finishes. Optional extras include flat style and double flat style towel hangers.

FEATURES

- Manufactured and tested to EN442 standard.
- CE Certification.
- Single profile construction.
- Maximum corrosion resistance.
- Cathaphoretic painting technology.
- Can be installed vertically or horizontally.
- Can be single, dual fuel or all electric (not all sizes).
- 5 Year Manufacturer's Warranty*
- * With conditions

500mm Height

Addington Type10 Vertical / Horizontal Radiators - Gloss White

Size H x W	Watts	BTU	Element Output	Element Type	Code	£ Ex VAT	£ Inc VAT
500 x 514mm	414	1413	150W	A, A+, C, E	91.0001	163.00	195.60
500 x 588mm	473	1614	300W	A, A+, C, E	91.0002	179.00	214.80

600mm Height

Addington Type10 Vertical / Horizontal Radiators - Gloss White

Size H x W	Watts	BTU	Element Output	Element Type	Code	£ Ex VAT	£ Inc VAT
600 x 292mm	281	958	150W	A, A+	91.0127	127.00	152.40
600 x 366mm	351	1198	150W	A, A+	91.0128	144.00	172.80
600 x 440mm	421	1438	150W	A, A+, C, E	91.0129	159.00	190.80
600 x 514mm	492	1679	300W	A, A+, C, E	91.0003	175.00	210.00
600 x 588mm	562	1918	300W	A, A+, C, E	91.0004	191.00	229.20
600 x 662mm	632	2157	300W	A, A+, C, E	91.0130	208.00	249.60
600 x 810mm	772	2636	450W	A+, C, E	91.0131	239.00	286.80
600 x 1032mm	983	3355	600W	A, A+, C, E	91.0132	289.00	346.80
600 x 1180mm	1124	3834	600W	A, A+, C, E	91.0133	321.00	385.20
600 x 1254mm	1194	4073	600W	A, A+, C, E	91.0134	336.00	403.20

800mm Height

Addington Type10 Vertical / Horizontal Radiators - Gloss White

Size H x W	Watts	BTU	Element Output	Element Type	Code	£ Ex VAT	£ Inc VAT
800 x 514mm	642	2191	300W	A, A+, C	91.0005	196.00	235.20
800 x 588mm	733	2501	450W	A+, C	91.0006	216.00	259.20

1000mm Height

Addington Type10 Vertical / Horizontal Radiators - Gloss White

Size H x W	Watts	BTU	Element Output	Element Type	Code	£ Ex VAT	£ Inc VAT
1000 x 514mm	786	2682	450W	A+, C	91.0007	218.00	261.60
1000 x 588mm	898	3064	450W	A+, C	91.0008	239.00	286.80

1200mm Height

Addington Type10 Vertical / Horizontal Radiators - Gloss White

Size H x W	Watts	BTU	Element Output	Element Type	Code	£ Ex VAT	£ Inc VAT
1200 x 514mm	923	3149	450W	A+, C	91.0009	239.00	286.80
1200 x 588mm	1055	3600	600W	A+, C	91.0010	265.00	318.00

1400mm Height

Addington Type10 Vertical / Horizontal Radiators - Gloss White

Size H x W	Watts	BTU	Element Output	Element Type	Code	£ Ex VAT	£ Inc VAT
1400 x 514mm	1055	3600	600W	A+, C	91.0011	261.00	313.20
1400 x 588mm	1206	4115	600W	A+, C	91.0012	289.00	346.80

1800mm Height

Addington Type10 Vertical / Horizontal Radiators - Gloss White

Size H x W	Watts	BTU	Element Output	Element Type	Code	£ Ex VAT	£ Inc VAT
1800 x 292mm	744	2539	N/A	N/A	91.0013	200.00	240.00
1800 x 366mm	931	3177	N/A	N/A	91.0014	235.00	282.00
1800 x 440mm	1117	3811	450W	A+	91.0015	269.00	322.80
1800 x 514mm	1303	4446	600W	A+	91.0016	303.00	363.60
1800 x 588mm	1489	5080	600W	A+	91.0017	338.00	405.60

Designer Range

ADDINGTON TYPE10 - MATT ANTHRACITE

NEW
New Sizes



Pictured 91.0032 Matt Anthracite (Fitted Vertically) & 91.0111 Towel Hanger



Pictured 91.0147 Matt Anthracite (Fitted Vertically) & 91.0086 Towel Hanger

Vertical Bars (mm)

All Addington Models:
Height 70 x Depth 11

Towel Hangers
Page 548-549

Round Vent Caps
Page 657



Warranty
5 Year

Heating

All Electric

Dual-Fuel

HEATING NOTE:
Radiators that are electric only are restricted to the heat output of the elements.

Designer Range

ADDINGTON TYPE10 - MATT ANTHRACITE



Pictured 91.0032 (Fitted Horizontally)



Single profile construction

Radiator can be installed vertically or horizontally using the pre-fitted wall bracket holders. (Below images)



TECHNICAL INFORMATION

All measurements in Height by Width. Heat output based on $\Delta T60^{\circ}C$. Radiators that are electric only are restricted to the heat output of the elements. Element size can be increased to full capacity of rail if using element type C or E. For element types see pages 646-647. For matching valves see pages 648-653. Comes with pre-fitted flow diverter. Flow diverter must remain in place when radiator installed on central heating system (only for vertical installations). For indirect heating systems only. In vertical installation, tappings are the width of the rail and approx. 40mm off the wall. In horizontal installation, tappings are approx. 50mm less than the width of the rail and approx. 40mm off the wall. Price includes radiator and wall fixing sets, valves extra.

MAGNETIC TOWEL HANGERS

NEW

Round Magnetic Towel Hangers

Size	Colour	Code	£ Ex VAT	£ Inc VAT
600mm	Gloss White	101.0071	59.00	70.80
600mm	Chrome	101.0072	64.00	76.80

NEW

Square Magnetic Towel Hangers

Size	Colour	Code	£ Ex VAT	£ Inc VAT
600mm	Gloss White	101.0073	60.00	72.00
600mm	Chrome	101.0074	67.00	80.40

Both Round & Square towel hangers come in three unassembled pieces. Please cut 600mm bar to required column-to-column length. Holds up to 5kg weight.

NEW SIZES HIGHLIGHTED

A designer radiator range available to fit both vertically and horizontally designs in a matt anthracite finish. Optional extras include flat style and double flat style towel hangers (see Page 548).

FEATURES

- Manufactured and tested to EN442 standard.
 - CE Certification.
 - Single profile construction.
 - Maximum corrosion resistance.
 - Cathaphoretic painting technology.
 - Can be installed vertically or horizontally.
 - Can be single, dual fuel or all electric (not all sizes).
 - 5 Year Manufacturer's Warranty*
- * With conditions

500mm Height

Addington Type10 Vertical / Horizontal Radiators - Matt Anthracite

Size H x W	Watts	BTU	Element Output	Element Type	Code	£ Ex VAT	£ Inc VAT
500 x 514mm	414	1413	150W	A, A+, C, E	91.0018	163.00	195.60
500 x 588mm	473	1614	300W	A, A+, C, E	91.0019	179.00	214.80

600mm Height

Addington Type10 Vertical / Horizontal Radiators - Matt Anthracite

Size H x W	Watts	BTU	Element Output	Element Type	Code	£ Ex VAT	£ Inc VAT
600 x 292mm	281	958	150W	A, A+	91.0145	127.00	152.40
600 x 366mm	351	1198	150W	A, A+	91.0146	144.00	172.80
600 x 440mm	421	1438	150W	A, A+, C, E	91.0147	159.00	190.80
600 x 514mm	492	1679	300W	A, A+, C, E	91.0020	175.00	210.00
600 x 588mm	562	1918	300W	A, A+, C, E	91.0021	191.00	229.20
600 x 662mm	632	2157	300W	A, A+, C, E	91.0148	208.00	249.60
600 x 810mm	772	2636	450W	A+, C, E	91.0149	239.00	286.80
600 x 1032mm	983	3355	600W	A, A+, C, E	91.0150	289.00	346.80
600 x 1180mm	1124	3834	600W	A, A+, C, E	91.0151	321.00	385.20
600 x 1254mm	1194	4073	600W	A, A+, C, E	91.0152	336.00	403.20

800mm Height

Addington Type10 Vertical / Horizontal Radiators - Matt Anthracite

Size H x W	Watts	BTU	Element Output	Element Type	Code	£ Ex VAT	£ Inc VAT
800 x 514mm	642	2191	300W	A, A+, C	91.0022	196.00	235.20
800 x 588mm	733	2501	450W	A+, C	91.0023	216.00	259.20

1000mm Height

Addington Type10 Vertical / Horizontal Radiators - Matt Anthracite

Size H x W	Watts	BTU	Element Output	Element Type	Code	£ Ex VAT	£ Inc VAT
1000 x 514mm	786	2682	450W	A+, C	91.0024	218.00	261.60
1000 x 588mm	898	3064	450W	A+, C	91.0025	239.00	286.80

1200mm Height

Addington Type10 Vertical / Horizontal Radiators - Matt Anthracite

Size H x W	Watts	BTU	Element Output	Element Type	Code	£ Ex VAT	£ Inc VAT
1200 x 514mm	923	3149	450W	A+, C	91.0026	239.00	286.80
1200 x 588mm	1055	3600	600W	A+, C	91.0027	265.00	318.00

1400mm Height

Addington Type10 Vertical / Horizontal Radiators - Matt Anthracite

Size H x W	Watts	BTU	Element Output	Element Type	Code	£ Ex VAT	£ Inc VAT
1400 x 514mm	1055	3600	600W	A+, C	91.0028	261.00	313.20
1400 x 588mm	1206	4115	600W	A+, C	91.0029	289.00	346.80

1800mm Height

Addington Type10 Vertical / Horizontal Radiators - Matt Anthracite

Size H x W	Watts	BTU	Element Output	Element Type	Code	£ Ex VAT	£ Inc VAT
1800 x 292mm	744	2539	N/A	N/A	91.0030	200.00	240.00
1800 x 366mm	931	3177	N/A	N/A	91.0031	235.00	282.00
1800 x 440mm	1117	3811	450W	A+	91.0032	269.00	322.80
1800 x 514mm	1303	4446	600W	A+	91.0033	303.00	363.60
1800 x 588mm	1489	5080	600W	A+	91.0034	338.00	405.60

Designer Range

ADDINGTON TYPE10 VERTICAL - CHROME



Pictured 89.0795 Chrome with 89.0848 x2 Towel Hangers

Vertical Bars (mm)

All Addington Models: Height 70 x Depth 11

Flat and broad vertical profiles meet the elegance of chrome plating. Towel hangers are extras for this radiator with the luxury of drying towels.

FEATURES

- Stunning chrome finish, Height 70mm x Depth 11mm vertical bars
 - Manufactured and tested to EN442 standard
 - 5 Year manufacturer's warranty*
 - CE Certificate
 - Can be single, dual fuel or all electric
- * With conditions

TECHNICAL INFORMATION

All measurements in Height by Width. Heat output based on $\Delta T60^{\circ}\text{C}$. Radiators that are electric only are restricted to the heat output of the elements. Element size can be increased to full capacity of rail if using element type C. For element types see pages 646-647. For matching valves see pages 648-653. For indirect heating systems only. Tappings are the width of the rail and approx. 60mm off the wall. Projection from wall 100mm. Price includes radiator and wall fixing sets, valves extra.

Warranty

5

Year

Heating

All Electric

Dual-Fuel



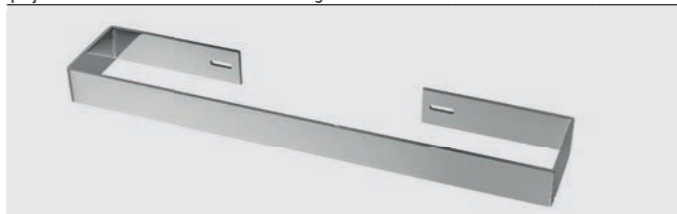
Pictured 89.0796 Chrome

Addington Type10 Vertical Radiators - Chrome							
Size H x W	Watts	BTU	Element Output	Element Type	Code	£ Ex VAT	£ Inc VAT
1800 x 310mm	468	1597	150W	A, A+	89.0794	307.00	368.40
1800 x 470mm	702	2396	300W	A, A+, C	89.0795	437.00	524.40
1800 x 630mm	935	3191	450W	A, A+, C	89.0796	541.00	649.20

TYPE 10 CHROME TOWEL HANGERS

Addington Type10 Chrome Towel Hangers			
Description	Code	£ Ex VAT	£ Inc VAT
310mm	89.0847	38.00	45.60
470mm	89.0848	43.00	51.60
630mm	89.0849	47.00	56.40

*Towel hangers are only compatible with Addington Type10 Vertical Chrome radiators. Radiators projection from wall 160mm when towel hanger is fitted. **Must be fitted before installation.**



Designer Range

ADDINGTON TYPE10 HORIZONTAL - CHROME



Pictured 89.0799 Chrome



Magnetic Hangers
Page 548-549

Vertical Bars (mm)

All Addington Models: Height 70 x Depth 11

Flat and broad vertical profiles meet the elegance of chrome plating. This horizontal chrome radiator will have all the attention in the room.

FEATURES

- Stunning chrome finish, Height 70mm x Depth 11mm vertical bars
 - Manufactured and tested to EN442 standard
 - 5 Year manufacturer's warranty*
 - CE Certificate
 - Can be single, dual fuel or all electric
- * With conditions

TECHNICAL INFORMATION

All measurements in Height by Width. Heat output based on $\Delta T60^{\circ}\text{C}$. Radiators that are electric only are restricted to the heat output of the elements. Element size can be increased to full capacity of rail if using element type C. For element types see pages 646-647. For matching valves see pages 648-653. For indirect heating systems only. Tappings are the width of the rail and approx. 60mm off the wall. Projection from wall 100mm. Price includes radiator and wall fixing sets, valves extra.

Addington Type10 Horizontal Radiators - Chrome							
Size H x W	Watts	BTU	Element Output	Element Type	Code	£ Ex VAT	£ Inc VAT
600 x 630mm	354	1208	150W	A, A+, C, E	89.0797	260.00	312.00
600 x 790mm	441	1505	150W	A, A+, C, E	89.0798	310.00	372.00
600 x 950mm	529	1806	300W	A, A+, C, E	89.0799	352.00	422.40
600 x 1270mm	706	2409	300W	A, A+, C, E	89.0800	400.00	480.00

Warranty

5

Year

Heating

All Electric

Dual-Fuel

Designer Range

ADDINGTON TYPE10 TOWEL RAIL - CHROME

NEW



Pictured 89.0805 Chrome

Designer Range

ADDINGTON TYPE10 TOWEL RAIL - CHROME

- Warranty **5** Year
- Heating
- All Electric
- Dual-Fuel



Addington Type10 Towel Rails - Chrome							
Size H x W	Watts	BTU	Element Output	Element Type	Code	£ Ex VAT	£ Inc VAT
800 x 500mm	363	1239	150W	A, A+, D, E	89.0801	232.00	278.40
800 x 600mm	418	1427	150W	A, A+, D, E	89.0802	255.00	306.00
1200 x 500mm	509	1737	300W	A, A+, D, E	89.0803	302.00	362.40
1200 x 600mm	584	1993	300W	A, A+, D, E	89.0804	332.00	398.40
1800 x 500mm	711	2427	300W	A, A+, D, E	89.0805	431.00	517.20
1800 x 600mm	815	2781	450W	A+, D, E	89.0806	474.00	568.80

TECHNICAL INFORMATION

All measurements in Height by Width. Heat output based on $\Delta T60^{\circ}\text{C}$. Radiators that are electric only are restricted to the heat output of the elements. Element size can be increased to full capacity of rail if using element type D or E. For element types see pages 646-647. For matching valves see pages 648-653. For indirect heating systems only. Tappings are 30mm less than the width of the rail and approx. 60mm off the wall. Projection from wall 100mm. Price includes radiator and wall fixing sets, valves extra.

Round Vent Caps
Page 657



Pictured 89.0804 Chrome

A designer towel rail in chrome finish and with broad horizontal bars that is available in 3 heights and 2 widths.

FEATURES

- Height 70mm x Depth 11mm horizontal bars
- Stunning chrome finish
- Single profile construction.
- Manufactured and tested to EN442 standard
- 5 Year manufacturer's warranty*
- CE Certificate
- Can be single, dual fuel or all electric
- * With conditions

Designer Range

ADDINGTON TYPE20 - GLOSS WHITE

NEW
New Sizes



Pictured 91.0037 Gloss White (Fitted Vertically)



Pictured 91.0137 Gloss White (Fitted Vertically)

Vertical Bars (mm)

All Addington Models:
Height 70 x Depth 11



Pictured 91.0143 (Fitted Vertically)

HEATING NOTE:
Radiators that are electric only are restricted to the heat output of the elements.

Warranty
5 Year

Heating
[Icon]

All Electric
[Icon]

Dual-Fuel
[Icon]

Designer Range

ADDINGTON TYPE20 - GLOSS WHITE



Pictured 91.0037 (Fitted Horizontally)



Double profile construction

Radiator can be installed vertically or horizontally using the pre-fitted wall bracket holders. (Below images)



NEW SIZES HIGHLIGHTED

A designer radiator range available to fit both vertically and horizontally designs in a gloss white finish.

FEATURES

- Manufactured and tested to EN442 standard.
 - CE Certification.
 - Double profile construction.
 - Maximum corrosion resistance.
 - Cathaphoretic painting technology.
 - Can be installed vertically or horizontally.
 - Can be single, dual fuel or all electric.
 - 5 Year Manufacturer's Warranty*
- * With conditions

600mm Height

Addington Type20 Vertical / Horizontal Radiators - Gloss White

Size H x W	Watts	BTU	Element Output	Element Type	Code	£ Ex VAT	£ Inc VAT
600 x 292mm	401	1369	150W	A, A+	91.0135	175.00	210.00
600 x 366mm	502	1712	300W	A, A+	91.0136	202.00	242.40
600 x 440mm	602	2054	300W	A, A+, C	91.0137	230.00	276.00
600 x 514mm	702	2396	300W	A, A+, C	91.0138	258.00	309.60
600 x 588mm	803	2738	450W	A+, C	91.0139	287.00	344.40
600 x 662mm	903	3081	450W	A+, C	91.0140	315.00	378.00
600 x 810mm	1104	3765	600W	A, A+, C, E	91.0141	370.00	444.00
600 x 1032mm	1405	4792	750W	A+, C, E	91.0142	456.00	547.20
600 x 1180mm	1605	5477	900W	A, A+, C, E	91.0143	511.00	613.20
600 x 1254mm	1706	5819	1000W	A+, C, E	91.0144	539.00	646.80

1800mm Height

Addington Type20 Vertical / Horizontal Radiators - Gloss White

Size H x W	Watts	BTU	Element Output	Element Type	Code	£ Ex VAT	£ Inc VAT
1800 x 366mm	1329	4535	300W	A+	91.0035	402.00	482.40
1800 x 440mm	1595	5442	450W	A+	91.0036	476.00	571.20
1800 x 514mm	1861	6350	600W	A+	91.0037	551.00	661.20
1800 x 588mm	2127	7257	600W	A+	91.0038	625.00	750.00

TECHNICAL INFORMATION

All measurements in Height by Width. Heat output based on $\Delta T60^{\circ}C$. Radiators that are electric only are restricted to the heat output of the elements. Element size can be increased to full capacity of rail if using element type C or E. For element types see pages 646-647. For matching valves see pages 648-653. Flow diverter must remain in place when radiator installed on central heating system (only for vertical installations). For indirect heating systems only. In vertical installation, tappings are the width of the rail and approx. 64mm off the wall. In horizontal installation, tappings are approx. 50mm less than the width of the rail and approx. 64mm off the wall. Price includes radiator and wall fixing sets, valves extra.



CREATE YOUR UNIQUE RADIATOR!

Bespoke RAL Colours

Our selection of 20 traditional and modern bespoke RAL colours allow you to inject your personal character into your radiator and help achieve that matching or statement piece look you were hoping for. Speak to your local Area Representative for more details!

Bespoke Sizes

Our selection of bespoke sizes allows you to fit your radiator in tighter spaces, or even expand the size to produce a larger heat output. Speak to your local Area Representative for more details!

Round Vent Caps

Page 657



MAGNETIC TOWEL HANGERS



Round Magnetic Towel Hangers

Size	Colour	Code	£ Ex VAT	£ Inc VAT
600mm	Gloss White	101.0071	59.00	70.80
600mm	Chrome	101.0072	64.00	76.80



Square Magnetic Towel Hangers

Size	Colour	Code	£ Ex VAT	£ Inc VAT
600mm	Gloss White	101.0073	60.00	72.00
600mm	Chrome	101.0074	67.00	80.40

Both Round & Square towel hangers come in three unassembled pieces. Please cut 600mm bar to required column-to-column length. Holds up to 5kg weight.

Designer Range

ADDINGTON TYPE20 - MATT ANTHRACITE

NEW
New Sizes



Pictured 91.0042 Matt Anthracite (Fitted Vertically)



Pictured 91.0157 Matt Anthracite (Fitted Vertically)

Vertical Bars (mm)

All Addington Models:
Height 70 x Depth 11



Pictured 91.0161 (Fitted Vertically)

HEATING NOTE:
Radiators that are electric only are restricted to the heat output of the elements.

Warranty
5 Year

Heating
[Icon: Radiator]

All Electric
[Icon: Plug]

Dual-Fuel
[Icon: Plug and Flame]

Designer Range

NEW SIZES HIGHLIGHTED

A designer radiator range available to fit both vertically and horizontally designs in a matt anthracite finish.

FEATURES

- Manufactured and tested to EN442 standard.
 - CE Certification.
 - Double profile construction.
 - Maximum corrosion resistance.
 - Cathaphoretic painting technology.
 - Can be installed vertically or horizontally.
 - Can be single, dual fuel or all electric.
 - 5 Year Manufacturer's Warranty*
- * With conditions

600mm Height

Addington Type20 Vertical / Horizontal Radiators - Matt Anthracite

Size H x W	Watts	BTU	Element Output	Element Type	Code	£ Ex VAT	£ Inc VAT
600 x 292mm	401	1369	150W	A, A+	91.0153	175.00	210.00
600 x 366mm	502	1712	300W	A, A+	91.0154	202.00	242.40
600 x 440mm	602	2054	300W	A, A+, C	91.0155	230.00	276.00
600 x 514mm	702	2396	300W	A, A+, C	91.0156	258.00	309.60
600 x 588mm	803	2738	450W	A+, C	91.0157	287.00	344.40
600 x 662mm	903	3081	450W	A+, C	91.0158	315.00	378.00
600 x 810mm	1104	3765	600W	A, A+, C, E	91.0159	370.00	444.00
600 x 1032mm	1405	4792	750W	A+, C, E	91.0160	456.00	547.20
600 x 1180mm	1605	5477	900W	A, A+, C, E	91.0161	511.00	613.20
600 x 1254mm	1706	5819	1000W	A+, C, E	91.0162	539.00	646.80

1800mm Height

Addington Type20 Vertical / Horizontal Radiators - Matt Anthracite

Size H x W	Watts	BTU	Element Output	Element Type	Code	£ Ex VAT	£ Inc VAT
1800 x 366mm	1329	4535	300W	A+	91.0039	402.00	482.40
1800 x 440mm	1595	5442	450W	A+	91.0040	476.00	571.20
1800 x 514mm	1861	6350	600W	A+	91.0041	551.00	661.20
1800 x 588mm	2127	7257	600W	A+	91.0042	625.00	750.00

TECHNICAL INFORMATION

All measurements in Height by Width. Heat output based on $\Delta T60^{\circ}C$. Radiators that are electric only are restricted to the heat output of the elements. Element size can be increased to full capacity of rail if using element type C or E. For element types see pages 646-647. For matching valves see pages 648-653. Flow diverter must remain in place when radiator installed on central heating system (only for vertical installations). For indirect heating systems only. In vertical installation, tappings are the width of the rail and approx. 64mm off the wall. In horizontal installation, tappings are approx. 50mm less than the width of the rail and approx. 64mm off the wall. Price includes radiator and wall fixing sets, valves extra.



CREATE YOUR UNIQUE RADIATOR!

Bespoke RAL Colours

Our selection of 20 traditional and modern bespoke RAL colours allow you to inject your personal character into your radiator and help achieve that matching or statement piece look you were hoping for. Speak to your local Area Representative for more details!

Bespoke Sizes

Our selection of bespoke sizes allows you to fit your radiator in tighter spaces, or even expand the size to produce a larger heat output. Speak to your local Area Representative for more details!

Round Vent Caps

Page 657



ADDINGTON TYPE20 - MATT ANTHRACITE



Pictured 91.0042 (Fitted Horizontally)



Double profile construction

Radiator can be installed vertically or horizontally using the pre-fitted wall bracket holders. (Below images)



MAGNETIC TOWEL HANGERS



Round Magnetic Towel Hangers

Size	Colour	Code	£ Ex VAT	£ Inc VAT
600mm	Gloss White	101.0071	59.00	70.80
600mm	Chrome	101.0072	64.00	76.80



Square Magnetic Towel Hangers

Size	Colour	Code	£ Ex VAT	£ Inc VAT
600mm	Gloss White	101.0073	60.00	72.00
600mm	Chrome	101.0074	67.00	80.40

Both Round & Square towel hangers come in three unassembled pieces. Please cut 600mm bar to required column-to-column length. Holds up to 5kg weight.

Aluminium Range

ROSANO VERTICAL

NEW
New Sizes



Warranty
5
Year

Heating

All Electric

Dual-Fuel

Pictured 86.0004 Matt White with 101.0052 Towel Hangers x1 & 86.0112 Cover Caps x2

A luxurious flat panelled radiator range with stunning clean lines which will be the focus of any room. Available in a choice of colours and in horizontal or vertical designs. Stunning towel hangers will complement the vertical design allowing room for your towels.

TECHNICAL INFORMATION

All measurements in Height by Width. Heat output based on $\Delta T60^{\circ}C$. For matching valves see pages 648-653. Corrosion inhibitor must be added to the heating system and maintained. Flow diverter must only be fitted when radiator installed on central heating system. For indirect heating systems only. Tappings are the width of the rail and 35 or 55mm off the wall.

Aluminium Range

ROSANO VERTICAL

Pictured 86.0005 Matt Anthracite with 86.0026 Towel Hangers



For all Rosano Matt White, Matt Anthracite, Matt Black, Chrome and Premium Towel Hangers, please refer to page 570-571.



Rosano Cover Cap Sets - Chrome

Description	Code	£ Ex VAT	£ Inc VAT
Cover Cap Set 280mm	86.0111	15.00	18.00
Cover Cap Set 375mm	86.0112	18.00	21.60
Cover Cap Set 470mm	86.0113	20.00	24.00
Cover Cap Set 565mm	86.0309	25.00	30.00

Cover cap sets only include cover caps for the top of the radiator.

Bespoke RAL Colours
Contact your local sales representative



Bespoke Sizes
Contact your local sales representative



NEW SIZES HIGHLIGHTED



Rosano Vertical Aluminium Radiators - Matt White

Size H x W	Watts	BTU	Element Output	Element Type	Code	£ Ex VAT	£ Inc VAT
600 x 280mm	316	1078	150W	A, A+	86.0147	128.00	153.60
1800 x 280mm	948	3235	450W	A+	86.0001	208.00	249.60
1800 x 375mm	1264	4313	750W	A+	86.0004	266.00	319.20
1800 x 470mm	1580	5391	900W	A, A+	86.0007	325.00	390.00
1800 x 565mm	1896	6469	1000W	A+	86.0284	394.00	472.80

Rosano Vertical Aluminium Radiators - Matt Anthracite

Size H x W	Watts	BTU	Element Output	Element Type	Code	£ Ex VAT	£ Inc VAT
600 x 280mm	316	1078	150W	A, A+	86.0148	128.00	153.60
1800 x 280mm	948	3235	450W	A+	86.0002	208.00	249.60
1800 x 375mm	1264	4313	750W	A+	86.0005	266.00	319.20
1800 x 470mm	1580	5391	900W	A, A+	86.0008	325.00	390.00
1800 x 565mm	1896	6469	1000W	A+	86.0285	394.00	472.80

Rosano Vertical Aluminium Radiators - Matt Black

Size H x W	Watts	BTU	Element Output	Element Type	Code	£ Ex VAT	£ Inc VAT
600 x 280mm	316	1078	150W	A, A+	86.0149	128.00	153.60
1800 x 280mm	948	3235	450W	A+	86.0003	208.00	249.60
1800 x 375mm	1264	4313	750W	A+	86.0006	266.00	319.20
1800 x 470mm	1580	5391	900W	A, A+	86.0009	325.00	390.00
1800 x 565mm	1896	6469	1000W	A+	86.0286	394.00	472.80

Prices include radiator and wall fixing sets, valves and accessories extra.

FEATURES

- Excellent heat conductivity and lightweight.
- Only requires a low water volume.
- Heats up very quickly.
- Manufactured and tested to EN442 standard.
- CE Certification.
- 5 Year Manufacturer's Warranty*
- Can be single or dual fuel, or all electric.
- Radiators come with cover caps on top and bottom, the same colour as the radiator.

* With conditions

For element types see pages 646-647.

Element can be installed vertically on the right-hand side or left-hand side on the bottom header. Radiators that are electric only are restricted to the heat output of the elements. For dual fuel installations, element must be installed on flow side.



Aluminium Range

PERETTI VERTICAL

NEW
New Sizes



Pictured 86.0178 Polished Aluminium with 86.0078 Towel Hangers

A refined version of the designer flat panelled radiators with a curve to the end two panels. This radiator will add a touch of sophistication creating an impact in any room. Available in both vertical and horizontal designs as well as four different colours for maximum choice. Stunning towel hangers will complement the vertical design allowing room for your towels.

TECHNICAL INFORMATION

All measurements in Height by Width. Heat output based on $\Delta T60^{\circ}\text{C}$. For matching valves see pages 648-653. Corrosion inhibitor must be added to the heating system and maintained. Flow diverter must only be fitted when radiator installed on central heating system. For indirect heating systems only. Tappings are the width of the rail and 35 or 55mm off the wall.

FEATURES

- Excellent heat conductivity and lightweight.
 - Only requires a low water volume.
 - Heats up very quickly.
 - Radiators come with cover caps on top and bottom, same as radiator colour.
 - Manufactured and tested to EN442 standard.
 - CE Certification.
 - 5 Year Manufacturer's Warranty*
 - Can be single or dual fuel, or all electric.
- * With conditions



Pictured 86.0058 Matt Black with 86.0078 Towel Hangers

Warranty

5

Year

Heating

All Electric

Dual-Fuel

For Towel Hangers and Shelves Options See pages 578-579.



NEW SIZES HIGHLIGHTED



Peretti Vertical Aluminium Radiators - Matt White							
Size H x W	Watts	BTU	Element Output	Element Type	Code	£ Ex VAT	£ Inc VAT
600 x 280mm	316	1078	150W	A, A+	86.0150	128.00	153.60
1800 x 280mm	948	3235	450W	A+	86.0053	208.00	249.60
1800 x 375mm	1264	4313	750W	A+	86.0056	266.00	319.20
1800 x 470mm	1580	5391	900W	A, A+	86.0059	325.00	390.00
1800 x 565mm	1896	6469	1000W	A+	86.0287	394.00	472.80

Peretti Vertical Aluminium Radiators - Matt Anthracite							
Size H x W	Watts	BTU	Element Output	Element Type	Code	£ Ex VAT	£ Inc VAT
600 x 280mm	316	1078	150W	A, A+	86.0151	128.00	153.60
1800 x 280mm	948	3235	450W	A+	86.0054	208.00	249.60
1800 x 375mm	1264	4313	750W	A+	86.0057	266.00	319.20
1800 x 470mm	1580	5391	900W	A, A+	86.0060	325.00	390.00
1800 x 565mm	1896	6469	1000W	A+	86.0288	394.00	472.80

Peretti Vertical Aluminium Radiators - Matt Black							
Size H x W	Watts	BTU	Element Output	Element Type	Code	£ Ex VAT	£ Inc VAT
600 x 280mm	316	1078	150W	A, A+	86.0152	128.00	153.60
1800 x 280mm	948	3235	450W	A+	86.0055	208.00	249.60
1800 x 375mm	1264	4313	750W	A+	86.0058	266.00	319.20
1800 x 470mm	1580	5391	900W	A, A+	86.0061	325.00	390.00
1800 x 565mm	1896	6469	1000W	A+	86.0289	394.00	472.80

Peretti Vertical Aluminium Radiators - Polished							
Size H x W	Watts	BTU	Element Output	Element Type	Code	£ Ex VAT	£ Inc VAT
600 x 280mm	307	1046	150W	A, A+	86.0176	140.00	168.00
1800 x 280mm	920	3138	450W	A+	86.0177	244.00	292.80
1800 x 375mm	1226	4184	750W	A+	86.0178	314.00	376.80
1800 x 470mm	1533	5229	900W	A, A+	86.0179	383.00	459.60
1800 x 565mm	1839	6275	1000W	A+	86.0290	443.00	531.60

Prices include radiator and wall fixing sets, valves and accessories extra.

For element types see pages 646-647.

Element can be installed vertically on the right-hand side or left-hand side on the bottom header. Radiators that are electric only are restricted to the heat output of the elements. For dual fuel installations, element must be installed on flow side.



Aluminium Range

PERETTI VERTICAL



Pictured 86.0056 Matt White



Peretti Cover Cap Sets - Chrome			
Description	Code	£ Ex VAT	£ Inc VAT
Cover Cap Set 280mm	86.0125	15.00	18.00
Cover Cap Set 375mm	86.0126	18.00	21.60
Cover Cap Set 470mm	86.0113	20.00	24.00
Cover Cap Set 565mm	86.0310	25.00	30.00

Cover cap sets only include cover caps for the top of the radiator.

Bespoke RAL Colours
Contact your local sales representative



Bespoke Sizes
Contact your local sales representative



Aluminium Range

SANDHURST VERTICAL

NEW



Pictured 86.0279 Matt Anthracite with 86.0331 x3 Towel Hangers

An aluminium radiator with elliptical vertical panels that will take everyone's attention. Vertical model is available in 3 different colours, 3 width and 1 Height options. This radiator is capable of heating up very quickly, thanks to being constructed in aluminium.

Sandhurst Vertical Aluminium Radiators - Matt White							
Size H x W	Watts	BTU	Element Output	Element Type	Code	£ Ex VAT	£ Inc VAT
1800 x 275mm	901	3074	450W	A+	86.0270	193.00	231.60
1800 x 415mm	1351	4611	750W	A+	86.0271	269.00	322.80
1800 x 485mm	1577	5380	900W	A, A+	86.0272	307.00	368.40

Sandhurst Vertical Aluminium Radiators - Matt Anthracite							
Size H x W	Watts	BTU	Element Output	Element Type	Code	£ Ex VAT	£ Inc VAT
1800 x 275mm	901	3074	450W	A+	86.0278	193.00	231.60
1800 x 415mm	1351	4611	750W	A+	86.0279	269.00	322.80
1800 x 485mm	1577	5380	900W	A, A+	86.0280	307.00	368.40

Sandhurst Vertical Aluminium Radiators - Polished Aluminium							
Size H x W	Watts	BTU	Element Output	Element Type	Code	£ Ex VAT	£ Inc VAT
1800 x 275mm	901	3074	450W	A+	86.0281	217.00	260.40
1800 x 415mm	1351	4611	750W	A+	86.0282	303.00	363.60
1800 x 485mm	1577	5380	900W	A, A+	86.0283	346.00	415.20

Prices include radiator and wall fixing sets, valves and accessories extra.

FEATURES

- Excellent heat conductivity and lightweight.
- Only requires a low water volume.
- Heats up very quickly.
- Radiators come with cover caps on top and bottom, same as radiator colour.
- Manufactured and tested to EN442 standard.
- CE Certification.
- 5 Year Manufacturer's Warranty*
- Can be single or dual fuel, or all electric.

*With conditions

TECHNICAL INFORMATION

All measurements in Height by Width. Heat output based on $\Delta T60^{\circ}C$. For matching valves see pages 648-653. Corrosion inhibitor must be added to the heating system and maintained. Flow diverter must only be fitted when radiator installed on central heating system. For indirect heating systems only. Tappings are the width of the rail and approx. 65mm off the wall.

Warranty

5

Year

Heating

All Electric

Dual-Fuel

For element types see pages 646-647.

Element can be installed vertically on the right-hand side or left-hand side on the bottom header. Radiators that are electric only are restricted to the heat output of the elements. For dual fuel installations, element must be installed on flow side.



Sandhurst Cover Cap Sets - Chrome			
Description	Code	£ Ex VAT	£ Inc VAT
Cover Cap Set 275mm	86.0302	16.00	19.20
Cover Cap Set 415mm	86.0303	20.00	24.00
Cover Cap Set 485mm	86.0304	22.00	26.40

Cover cap sets only include cover caps for the top of the radiator.

Aluminium Range

SANDHURST VERTICAL

- Matt White
- Matt Anthracite
- Polished Aluminium



Pictured 86.083 Polished Aluminium with 86.0332 x3 Towel Hangers



SANDHURST - STANDARD TOWEL HANGERS

Towel Hanger - Matt White				Towel Hanger - Matt Anthracite			
Size	Code	£ Ex VAT	£ Inc VAT	Size	Code	£ Ex VAT	£ Inc VAT
275mm	86.0324	32.00	38.40	275mm	86.0327	32.00	38.40
415mm	86.0325	36.00	43.20	415mm	86.0328	36.00	43.20
485mm	86.0326	41.00	49.20	485mm	86.0329	41.00	49.20

TECHNICAL INFORMATION

Material: Steel

Vertical Radiators:

1800mm height radiators comes with 3 pre-drilled towel hanger locations, with a maximum of 3 towel hangers - all widths; 275, 415 and 485mm. The standard towel hangers are only compatible with the Vertical Radiators. The Sandhurst Standard Towel Hangers will add approx 42mm width on each side once fitted to the radiator.

Must be fitted before installation!

Towel Hanger - Chrome			
Size	Code	£ Ex VAT	£ Inc VAT
275mm	86.0330	32.00	38.40
415mm	86.0331	36.00	43.20
485mm	86.0332	41.00	49.20

Aluminium Range

SANDHURST HORIZONTAL

Warranty
5 Year

Heating

All Electric

Dual-Fuel

NEW



Pictured 86.0269 Matt White

An aluminium radiator with elliptical vertical panels that will take everyone's attention. Horizontal model is available in 2 different colours, 5 width and 1 Height options. This radiator is capable of heating up very quickly, thanks to being constructed in aluminium.

TECHNICAL INFORMATION

All measurements in Height by Width. Heat output based on $\Delta T60^{\circ}\text{C}$. For matching valves see pages 648-653. Corrosion inhibitor must be added to the heating system and maintained. Flow diverter must only be fitted when radiator installed on central heating system. For indirect heating systems only. Tappings are the width of the rail and approx. 65mm off the wall.

Bespoke RAL Colours
Contact your local sales representative



Bespoke Sizes
Contact your local sales representative



Aluminium Range

SANDHURST HORIZONTAL

Pictured 86.0276 Matt Anthracite



Sandhurst Horizontal Aluminium Radiators - Matt White

Size H x W	Watts	BTU	Element Output	Element Type	Code	£ Ex VAT	£ Inc VAT
600 x 485mm	526	1793	300W	A, A+	86.0265	156.00	187.20
600 x 625mm	676	2306	300W	A, A+	86.0266	187.00	224.40
600 x 835mm	901	3074	450W	A+	86.0267	236.00	283.20
600 x 1045mm	1126	3843	600W	A, A+	86.0268	284.00	340.80
600 x 1255mm	1351	4611	750W	A+	86.0269	334.00	400.80

Sandhurst Horizontal Aluminium Radiators - Matt Anthracite

Size H x W	Watts	BTU	Element Output	Element Type	Code	£ Ex VAT	£ Inc VAT
600 x 485mm	526	1793	300W	A, A+	86.0273	156.00	187.20
600 x 625mm	676	2306	300W	A, A+	86.0274	187.00	224.40
600 x 835mm	901	3074	450W	A+	86.0275	236.00	283.20
600 x 1045mm	1126	3843	600W	A, A+	86.0276	284.00	340.80
600 x 1255mm	1351	4611	750W	A+	86.0277	334.00	400.80

Prices include radiator and wall fixing sets, valves and accessories extra.

FEATURES

- Excellent heat conductivity and lightweight.
 - Only requires a low water volume.
 - Heats up very quickly.
 - Radiators come with cover caps on top and bottom, same as radiator colour.
 - Manufactured and tested to EN442 standard.
 - CE Certification.
 - 5 Year Manufacturer's Warranty*
 - Can be single or dual fuel, or all electric.
- * With conditions

For element types see pages 646-647.

Element can only be installed horizontally on the bottom header. Radiators that are electric only are restricted to the heat output of the elements (Type C up to 900 watts).

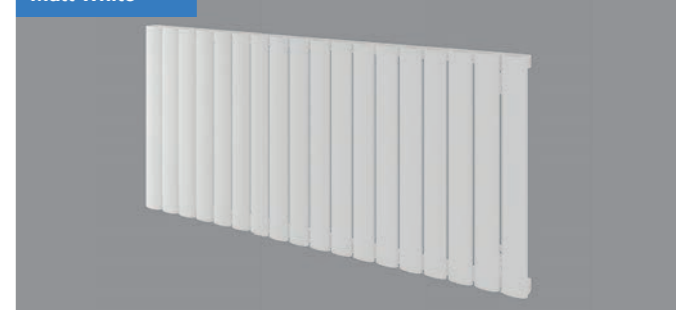


TOWEL HANGERS

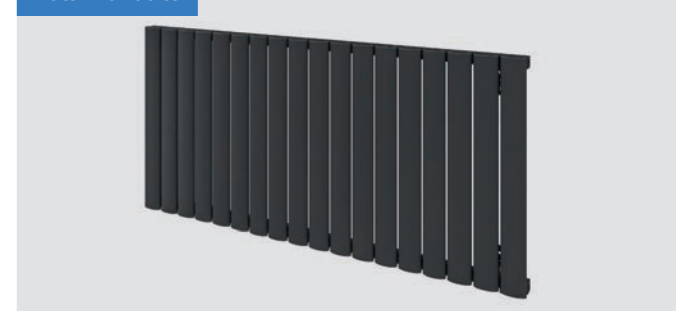
Horizontal Radiators:

Horizontal radiators do not have holes for Standard Towel Hangers. Standard Towel Hangers can not be fitted.

Matt White



Matt Anthracite



Sandhurst Cover Cap Sets - Chrome

Description	Code	£ Ex VAT	£ Inc VAT
Cover Cap Set 485mm	86.0304	22.00	26.40
Cover Cap Set 625mm	86.0305	26.00	31.20
Cover Cap Set 835mm	86.0306	33.00	39.60
Cover Cap Set 1045mm	86.0307	39.00	46.80
Cover Cap Set 1255mm	86.0308	46.00	55.20

Cover cap sets only include cover caps for the top of the radiator.

Aluminium Range

BERKELEY HORIZONTAL

Matt White



Pictured 89.0712

Matt Grey



Pictured 89.0722

Matt Anthracite



Pictured 89.0732

Aluminium Range

BERKELEY HORIZONTAL

Horizontally positioned sleek and futuristic panels combined to create the radiator that will create an elegant look in every room it will be installed. When you are bored with the standard, old fashioned single panel radiators, just replace with a brand new Berkeley radiator, the perfect alternative for single panel radiators.

FEATURES

- Perfect alternative for Single Panel (Type11) Radiators.
- Only requires a low water volume.
- Heats up very quickly.
- Manufactured and tested to EN442 standard.
- CE Certification.
- 5 Year Manufacturer's Warranty*
- Not suitable for elements
- * With conditions

Berkeley Aluminium Radiator - Matt White

Size H x W	Watts	BTU	Element Output	Element Type	Code	£ Ex VAT	£ Inc VAT
603 x 600mm	398	1357	N/A	N/A	89.0711	94.00	112.80
603 x 800mm	530	1807	N/A	N/A	89.0712	125.00	150.00
603 x 1000mm	663	2261	N/A	N/A	89.0713	156.00	187.20
603 x 1200mm	796	2714	N/A	N/A	89.0714	187.00	224.40
603 x 1400mm	928	3164	N/A	N/A	89.0715	218.00	261.60
603 x 1600mm	1061	3618	N/A	N/A	89.0716	249.00	298.80
603 x 1800mm	1193	4068	N/A	N/A	89.0717	280.00	336.00
603 x 2000mm	1326	4522	N/A	N/A	89.0718	311.00	373.20

Berkeley Aluminium Radiator - Matt Grey

Size H x W	Watts	BTU	Element Output	Element Type	Code	£ Ex VAT	£ Inc VAT
603 x 600mm	398	1357	N/A	N/A	89.0719	94.00	112.80
603 x 800mm	530	1807	N/A	N/A	89.0720	125.00	150.00
603 x 1000mm	663	2261	N/A	N/A	89.0721	156.00	187.20
603 x 1200mm	796	2714	N/A	N/A	89.0722	187.00	224.40
603 x 1400mm	928	3164	N/A	N/A	89.0723	218.00	261.60
603 x 1600mm	1061	3618	N/A	N/A	89.0724	249.00	298.80
603 x 1800mm	1193	4068	N/A	N/A	89.0725	280.00	336.00
603 x 2000mm	1326	4522	N/A	N/A	89.0726	311.00	373.20

Berkeley Aluminium Radiator - Matt Anthracite

Size H x W	Watts	BTU	Element Output	Element Type	Code	£ Ex VAT	£ Inc VAT
603 x 600mm	398	1357	N/A	N/A	89.0727	94.00	112.80
603 x 800mm	530	1807	N/A	N/A	89.0728	125.00	150.00
603 x 1000mm	663	2261	N/A	N/A	89.0729	156.00	187.20
603 x 1200mm	796	2714	N/A	N/A	89.0730	187.00	224.40
603 x 1400mm	928	3164	N/A	N/A	89.0731	218.00	261.60
603 x 1600mm	1061	3618	N/A	N/A	89.0732	249.00	298.80
603 x 1800mm	1193	4068	N/A	N/A	89.0733	280.00	336.00
603 x 2000mm	1326	4522	N/A	N/A	89.0734	311.00	373.20

TECHNICAL INFORMATION

All measurements in Height by Width. Heat output based on $\Delta T60^{\circ}C$. For matching valves see pages 648-653. Corrosion inhibitor must be added to the heating system and maintained. For indirect heating systems only. Tappings are the width of the rail and approx. 50mm off the wall. Projection from wall 70mm.

Side View



Round Vent Caps
Page 657



Matt White



Matt Grey



Matt Anthracite



Aluminium Range

GUARDIA VERTICAL NEW SIZES HIGHLIGHTED

High Output

NEW
New Sizes



A versatile designer radiator which can be fitted to show the flat side or the curved profile of the panels, allowing the radiator to fit into your lifestyle and decor. Available in horizontal and vertical designs this radiator heats up quickly to warm your whole room.

Guardia Vertical Aluminium Radiators - Matt White							
Size H x W	Watts	BTU	Element Output	Element Type	Code	£ Ex VAT	£ Inc VAT
1800 x 280mm	1368	4668	N/A	N/A	86.0029	302.00	362.40
1800 x 375mm	1824	6224	N/A	N/A	86.0032	392.00	470.40
1800 x 470mm	2280	7780	N/A	N/A	86.0035	482.00	578.40
1800 x 565mm	2736	9335	N/A	N/A	86.0291	586.00	703.20

Guardia Vertical Aluminium Radiators - Matt Grey							
Size H x W	Watts	BTU	Element Output	Element Type	Code	£ Ex VAT	£ Inc VAT
1800 x 280mm	1368	4668	N/A	N/A	86.0189	302.00	362.40
1800 x 375mm	1824	6224	N/A	N/A	86.0190	392.00	470.40
1800 x 470mm	2280	7780	N/A	N/A	86.0191	482.00	578.40
1800 x 565mm	2736	9335	N/A	N/A	86.0292	586.00	703.20

Guardia Vertical Aluminium Radiators - Matt Anthracite							
Size H x W	Watts	BTU	Element Output	Element Type	Code	£ Ex VAT	£ Inc VAT
1800 x 280mm	1368	4668	N/A	N/A	86.0030	302.00	362.40
1800 x 375mm	1824	6224	N/A	N/A	86.0033	392.00	470.40
1800 x 470mm	2280	7780	N/A	N/A	86.0036	482.00	578.40
1800 x 565mm	2736	9335	N/A	N/A	86.0293	586.00	703.20

Guardia Vertical Aluminium Radiators - Matt Black							
Size H x W	Watts	BTU	Element Output	Element Type	Code	£ Ex VAT	£ Inc VAT
1800 x 280mm	1368	4668	N/A	N/A	86.0031	302.00	362.40
1800 x 375mm	1824	6224	N/A	N/A	86.0034	392.00	470.40
1800 x 470mm	2280	7780	N/A	N/A	86.0037	482.00	578.40
1800 x 565mm	2736	9335	N/A	N/A	86.0294	586.00	703.20

FEATURES

- Can be reversed when hanging on the wall.
 - Excellent heat conductivity and lightweight.
 - Only requires a low water volume.
 - Heats up very quickly.
 - Radiators come with cover caps on top and bottom, same as radiator colour.
 - Manufactured and tested to EN442 standard.
 - CE Certification.
 - 5 Year Manufacturer's Warranty*
 - Not suitable for elements.
- * With conditions

TECHNICAL INFORMATION

All measurements in Height by Width. Heat output based on $\Delta T60^{\circ}C$. For matching valves see pages 648-653. Corrosion inhibitor must be added to the heating system and maintained. Flow diverter must only be fitted when radiator installed on central heating system. For indirect heating systems only. Tappings are the width of the rail and approx. 65mm off the wall.

5

Year

Guardia Cover Cap Sets - Chrome			
Description	Code	£ Ex VAT	£ Inc VAT
Cover Cap Set 280mm	86.0118	24.00	28.80
Cover Cap Set 375mm	86.0119	30.00	36.00
Cover Cap Set 470mm	86.0120	36.00	43.20
Cover Cap Set 565mm	86.0311	44.00	52.80

Cover cap sets only include cover caps for the top of the radiator.

Aluminium Range

NEW SIZES HIGHLIGHTED GUARDIA VERTICAL

Matt White Matt Grey Matt Anthracite Matt Black

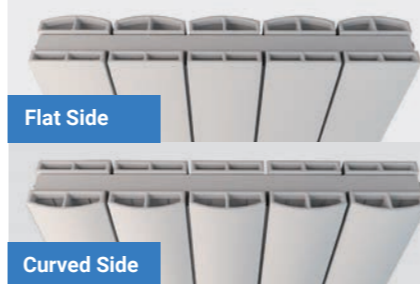
Bespoke Sizes
Contact your local sales representative



Bespoke RAL Colours
Contact your local sales representative



Can be reversed when hanging on the wall. Either side can be used as front facing.



GUARDIA - WALL MOUNTED TOWEL HANGERS

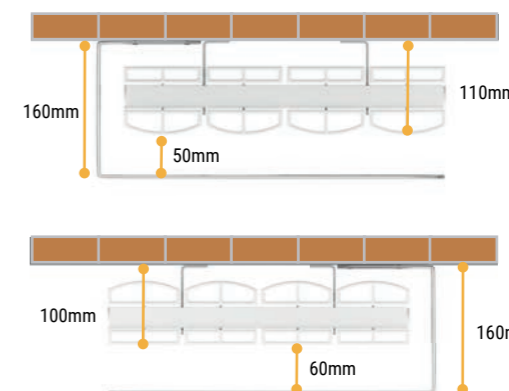
Towel Hanger - Matt White*				Towel Hanger - Matt Grey*				Towel Hanger - Matt Anthracite*				Towel Hanger - Matt Black*			
Size	Code	£ Ex VAT	£ Inc VAT	Size	Code	£ Ex VAT	£ Inc VAT	Size	Code	£ Ex VAT	£ Inc VAT	Size	Code	£ Ex VAT	£ Inc VAT
280mm	86.0226	51.00	61.20	280mm	86.0229	51.00	61.20	280mm	86.0232	51.00	61.20	280mm	86.0235	51.00	61.20
375mm	86.0227	57.00	68.40	375mm	86.0230	57.00	68.40	375mm	86.0233	57.00	68.40	375mm	86.0236	57.00	68.40
470mm	86.0228	62.00	74.40	470mm	86.0231	62.00	74.40	470mm	86.0234	62.00	74.40	470mm	86.0237	62.00	74.40
565mm	86.0343	70.00	84.00	565mm	86.0344	70.00	84.00	565mm	86.0345	70.00	84.00	565mm	86.0346	70.00	84.00

TECHNICAL INFORMATION

Material: Steel

Vertical Radiators:

- Guardia Towel Hangers must be mounted on the wall. Can be fitted on both flat and curved type of installation.
- Guardia Towel Hangers can be mounted Left Hand or Right Hand of the radiator. Once the towel hanger is mounted on the wall, the radiator must be fitted from the side.
- Total length of each towel hanger is 30mm longer than the width of the radiator, making the radiator's width +30mm on the side they are mounted on. Towel hangers can be mounted at any height vertically on the wall.



Must be fitted before radiator installation!

Towel Hanger - Chrome*			
Size	Code	£ Ex VAT	£ Inc VAT
280mm	86.0238	54.00	64.80
375mm	86.0239	60.00	72.00
470mm	86.0240	69.00	82.80
565mm	86.0347	76.00	91.20

Aluminium Range

HADLEIGH VERTICAL

High Output

NEW



Pictured 86.0247 Matt White with 86.0322 Towel Hanger

A versatile aluminium radiator with double profile construction panels that allows the radiator to produce high heat outputs. This radiator will fit into your lifestyle. Vertical version is available in 3 colours, 1 height and 3 different widths.

Hadleigh Vertical Aluminium Radiators - Matt White							
Size H x W	Watts	BTU	Element Output	Element Type	Code	£ Ex VAT	£ Inc VAT
1800 x 275mm	1274	4346	N/A	N/A	86.0246	270.00	324.00
1800 x 415mm	1911	6519	N/A	N/A	86.0247	385.00	462.00
1800 x 485mm	2229	7606	N/A	N/A	86.0248	442.00	530.40

Hadleigh Vertical Aluminium Radiators - Matt Anthracite							
Size H x W	Watts	BTU	Element Output	Element Type	Code	£ Ex VAT	£ Inc VAT
1800 x 275mm	1274	4346	N/A	N/A	86.0254	270.00	324.00
1800 x 415mm	1911	6519	N/A	N/A	86.0255	385.00	462.00
1800 x 485mm	2229	7606	N/A	N/A	86.0256	442.00	530.40

Hadleigh Vertical Aluminium Radiators - Matt Black							
Size H x W	Watts	BTU	Element Output	Element Type	Code	£ Ex VAT	£ Inc VAT
1800 x 275mm	1274	4346	N/A	N/A	86.0262	270.00	324.00
1800 x 415mm	1911	6519	N/A	N/A	86.0263	385.00	462.00
1800 x 485mm	2229	7606	N/A	N/A	86.0264	442.00	530.40

FEATURES

- Special double profile construction for high heat output.
- Excellent heat conductivity and lightweight.
- Only requires a low water volume.
- Heats up very quickly.
- Radiators come with cover caps on top and bottom, same as radiator colour.
- Manufactured and tested to EN442 standard.
- CE Certification.
- 5 Year Manufacturer's Warranty*
- Not suitable for elements.
- * With conditions

TECHNICAL INFORMATION

All measurements in Height by Width. Heat output based on $\Delta T60^{\circ}C$. For matching valves see pages 648-653. Corrosion inhibitor must be added to the heating system and maintained. Flow diverter must only be fitted when radiator installed on central heating system. For indirect heating systems only. Tappings are the width of the rail and approx. 65mm off the wall.

Warranty

5

Year

Heating

Bespoke RAL Colours

Contact your local sales representative

Bespoke Sizes

Contact your local sales representative

Hadleigh Cover Cap Sets - Chrome			
Description	Code	£ Ex VAT	£ Inc VAT
Cover Cap Set 275mm	86.0295	24.00	28.80
Cover Cap Set 415mm	86.0296	33.00	39.60
Cover Cap Set 485mm	86.0297	37.00	44.40

Cover cap sets only include cover caps for the top of the radiator.

Aluminium Range

HADLEIGH VERTICAL

Matt White Matt Anthracite Matt Black



Pictured 86.0264 Matt Black



HADLEIGH - WALL MOUNTED TOWEL HANGERS

Towel Hanger - Matt White				Towel Hanger - Matt Anthracite				Towel Hanger - Matt Black				Towel Hanger - Chrome			
Size	Code	£ Ex VAT	£ Inc VAT	Size	Code	£ Ex VAT	£ Inc VAT	Size	Code	£ Ex VAT	£ Inc VAT	Size	Code	£ Ex VAT	£ Inc VAT
275mm	86.0312	52.00	62.40	275mm	86.0315	52.00	62.40	275mm	86.0318	52.00	62.40	275mm	86.0321	56.00	67.20
415mm	86.0313	58.00	69.60	415mm	86.0316	58.00	69.60	415mm	86.0319	58.00	69.60	415mm	86.0322	61.00	73.20
485mm	86.0314	64.00	76.80	485mm	86.0317	64.00	76.80	485mm	86.0320	64.00	76.80	485mm	86.0323	71.00	85.20

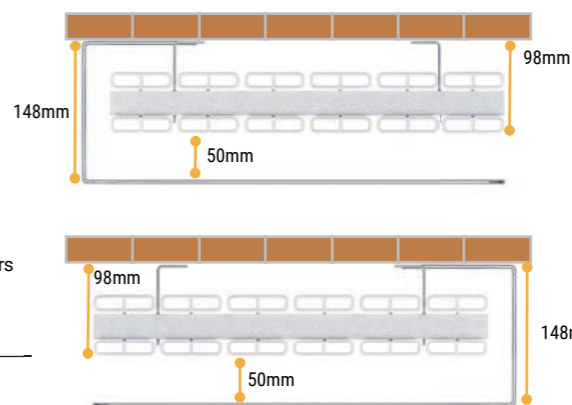
TECHNICAL INFORMATION

Material: Steel

Vertical Radiators:

- Hadleigh Towel Hangers must be mounted on the wall.
- Hadleigh Towel Hangers can be mounted Left Hand or Right Hand of the radiator. Once the towel hanger is mounted on the wall, the radiator must be fitted from the side.
- Total length of each towel hanger is 30mm longer than the width of the radiator, making the radiator's width +30mm on the side they are mounted on. Towel hangers can be mounted at any height vertically on the wall.

Must be fitted before radiator installation!



Aluminium Range

HADLEIGH HORIZONTAL

Warranty
5
Year



NEW



Pictured 86.0243 Matt White

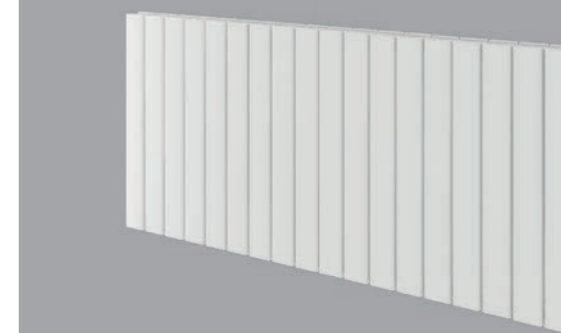


Pictured 86.0252 Matt Anthracite with 86.0300 x2 Cover Caps Chrome

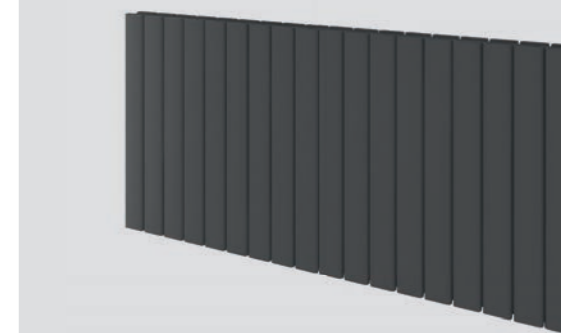
Aluminium Range

HADLEIGH HORIZONTAL

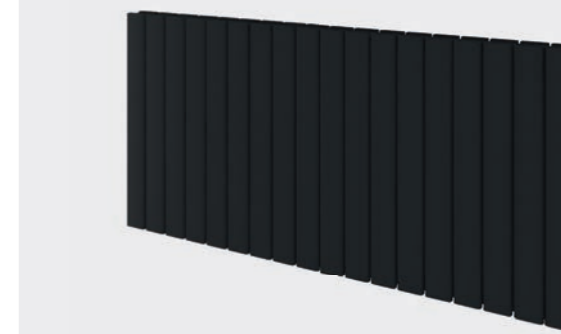
Matt White



Matt Anthracite



Matt Black



Hadleigh Cover Caps - Chrome

Description	Code	£ Ex VAT	£ Inc VAT
Cover Cap Set 485mm	86.0297	37.00	44.40
Cover Cap Set 625mm	86.0298	46.00	55.20
Cover Cap Set 835mm	86.0299	58.00	69.60
Cover Cap Set 1045mm	86.0300	71.00	85.20
Cover Cap Set 1255mm	86.0301	84.00	100.80

Cover cap sets only include cover caps for the top of the radiator.

A versatile aluminium radiator with double profile construction panels that allows the radiator to produce high heat outputs. This radiator will fit into your lifestyle. Horizontal version is available in 3 colours, 1 height and 5 different widths.

Hadleigh Horizontal Aluminium Radiators - Matt White

Size H x W	Watts	BTU	Element Output	Element Type	Code	£ Ex VAT	£ Inc VAT
600 x 485mm	743	2535	450W	A+, C	86.0241	200.00	240.00
600 x 625mm	955	3260	450W	A+, C	86.0242	245.00	294.00
600 x 835mm	1274	4346	750W	A+, C	86.0243	314.00	376.80
600 x 1045mm	1592	5433	900W	A, A+, C	86.0244	383.00	459.60
600 x 1255mm	1911	6519	1200W	A+, C	86.0245	452.00	542.40

Hadleigh Horizontal Aluminium Radiators - Matt Anthracite

Size H x W	Watts	BTU	Element Output	Element Type	Code	£ Ex VAT	£ Inc VAT
600 x 485mm	743	2535	450W	A+, C	86.0249	200.00	240.00
600 x 625mm	955	3260	450W	A+, C	86.0250	245.00	294.00
600 x 835mm	1274	4346	750W	A+, C	86.0251	314.00	376.80
600 x 1045mm	1592	5433	900W	A, A+, C	86.0252	383.00	459.60
600 x 1255mm	1911	6519	1200W	A+, C	86.0253	452.00	542.40

Hadleigh Horizontal Aluminium Radiators - Matt Black

Size H x W	Watts	BTU	Element Output	Element Type	Code	£ Ex VAT	£ Inc VAT
600 x 485mm	743	2535	450W	A+, C	86.0257	200.00	240.00
600 x 625mm	955	3260	450W	A+, C	86.0258	245.00	294.00
600 x 835mm	1274	4346	750W	A+, C	86.0259	314.00	376.80
600 x 1045mm	1592	5433	900W	A, A+, C	86.0260	383.00	459.60
600 x 1255mm	1911	6519	1200W	A+, C	86.0261	452.00	542.40

FEATURES

- Special double profile construction for high heat output.
 - Excellent heat conductivity and lightweight.
 - Only requires a low water volume.
 - Heats up very quickly.
 - Radiators come with cover caps on top and bottom, same as radiator colour.
 - Manufactured and tested to EN442 standard.
 - CE Certification.
 - 5 Year Manufacturer's Warranty*
 - Not suitable for elements.
- * With conditions

TECHNICAL INFORMATION

All measurements in Height by Width. Heat output based on $\Delta T60^{\circ}C$. For matching valves see pages 648-653. Corrosion inhibitor must be added to the heating system and maintained. Flow diverter must only be fitted when radiator installed on central heating system. For indirect heating systems only. Tappings are the width of the rail and approx. 65mm off the wall.

Bespoke RAL Colours

Contact your local sales representative



Bespoke Sizes

Contact your local sales representative



For element types see pages 646-647.

Element can only be installed horizontally on the bottom header.

Radiators that are electric only are restricted to the heat output of the elements (Type C up to 900 watts).



Aluminium Range

PRESTON VERTICAL

NEW
New Sizes



Pictured 89.0162 Matt Anthracite with 89.0164 Towel Hangers x3 & 89.0175 Cover Caps x2

Aluminium Range

NEW SIZES HIGHLIGHTED

PRESTON VERTICAL

Pictured 89.0791 Matt White with 89.0204 Towel Hangers x3



For element types see pages 646-647.

Element can only be installed vertically on the right hand side on the bottom header. Radiators that are electric only are restricted to the heat output of the elements. For dual fuel installations, element must be installed on right hand side.



TECHNICAL INFORMATION

All measurements in Height by Width. Heat output based on $\Delta T60^{\circ}C$. For matching valves see pages 648-653. Corrosion inhibitor must be added to the heating system and maintained. Flow diverter must only be fitted when radiator installed on central heating system. For indirect heating systems only. Tappings are the width of the rail and 33 or 53mm off the wall.

All Electric

Dual-Fuel

Warranty

5

Year

Heating

A slimline radiator ideal for those situations where space is at a minimum. With the additional extra towel hangers this radiator is ideal for drying kitchen or bathroom towels. Available in three finishes.

Preston Aluminium Radiators								
Size H x W	Watts	BTU	Element Output	Element Type	Colour	Code	£ Ex VAT	£ Inc VAT
1200 x 185mm	396	1352	150W	A, A+	Matt White	89.0791	125.00	150.00
1200 x 185mm	396	1352	150W	A, A+	Matt Anthracite	89.0792	125.00	150.00
1200 x 185mm	396	1352	150W	A, A+	Matt Black	89.0793	125.00	150.00
1800 x 185mm	550	1876	300W	A, A+	Matt White	89.0161	134.00	160.80
1800 x 185mm	550	1876	300W	A, A+	Matt Anthracite	89.0162	134.00	160.80
1800 x 185mm	550	1876	300W	A, A+	Matt Black	89.0163	134.00	160.80

Prices include radiator and wall fixing sets, valves and accessories extra.

FEATURES

- Excellent heat conductivity and lightweight.
- Only requires a low water volume.
- Heats up very quickly.
- Manufactured and tested to EN442 standard.
- CE Certification.
- 5 Year Manufacturer's Warranty*
- Can be single or dual fuel, or all electric.
- Radiators come with cover caps on top and bottom, the same colour as the radiator.

* With conditions



Preston Cover Cap Sets - Chrome

Cap Set Size	Code	£ Ex VAT	£ Inc VAT
185mm	89.0175	9.00	10.80

Cover cap set only includes cover caps for the top or bottom of the radiator.

Preston Standard Towel Hangers

Hanger Size	Colour	Code	£ Ex VAT	£ Inc VAT
185mm	Premium Mirror Polished	86.0207	42.00	50.40
185mm	Matt White	89.0204	33.00	39.60
185mm	Matt Anthracite	89.0205	33.00	39.60
185mm	Matt Black	89.0206	33.00	39.60
185mm	Chrome	89.0164	28.00	33.60

1800mm height radiator comes with 3 pre-drilled towel hanger locations, with a maximum of 3 towel hangers. 1200mm height radiators comes with 2 pre-drilled towel hanger locations, with a maximum of 2 towel hangers. Can be fitted after installation. The Preston Standard Towel Hangers will add approx. 23mm width on each side once fitted to the radiator.



Premium

86.0207

Matt White	Matt Anthracite	Matt Black	Chrome
89.0204	89.0205	89.0206	89.0164

Round Vent Caps
Page 657



Aluminium Range

CHARLTON VERTICAL

NEW SIZES HIGHLIGHTED

Rosano/Charlton Triple Towel Hangers
Page 573



NEW
New Sizes



Pictured 89.0128 Matt White with 89.0134 Towel Hangers

A contemporary versatile radiator style, that come in two finishes, with an optional extra of stylish towel hangers.

Charlton Vertical Aluminium Radiators - Matt White

Size H x W	Watts	BTU	Element Output	Element Type	Code	£ Ex VAT	£ Inc VAT
600 x 280mm	338	1154	150W	A, A+	89.0758	115.00	138.00
1800 x 280mm	865	2948	450W	A+	89.0128	195.00	234.00
1800 x 375mm	1152	3929	600W	A, A+	89.0130	252.00	302.40
1800 x 470mm	1441	4915	750W	A+	89.0132	305.00	366.00
1800 x 565mm	1729	5900	1000W	A+	89.0759	379.00	454.80

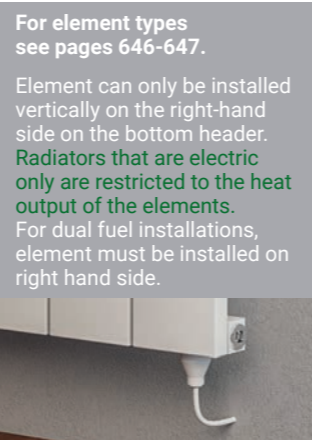
Charlton Vertical Aluminium Radiators - Matt Anthracite

Size H x W	Watts	BTU	Element Output	Element Type	Code	£ Ex VAT	£ Inc VAT
600 x 280mm	338	1154	150W	A, A+	89.0760	115.00	138.00
1800 x 280mm	865	2948	450W	A+	89.0129	195.00	234.00
1800 x 375mm	1152	3929	600W	A, A+	89.0131	252.00	302.40
1800 x 470mm	1441	4915	750W	A+	89.0133	305.00	366.00
1800 x 565mm	1729	5900	1000W	A+	89.0761	379.00	454.80

Charlton Vertical Aluminium Radiators - Matt Black

Size H x W	Watts	BTU	Element Output	Element Type	Code	£ Ex VAT	£ Inc VAT
600 x 280mm	338	1154	150W	A, A+	89.0762	115.00	138.00
1800 x 280mm	865	2948	450W	A+	89.0763	195.00	234.00
1800 x 375mm	1152	3929	600W	A, A+	89.0764	252.00	302.40
1800 x 470mm	1441	4915	750W	A+	89.0765	305.00	366.00
1800 x 565mm	1729	5900	1000W	A+	89.0766	379.00	454.80

Prices include radiator and wall fixing sets, valves and accessories extra.



For element types see pages 646-647.
Element can only be installed vertically on the right-hand side on the bottom header.
Radiators that are electric only are restricted to the heat output of the elements.
For dual fuel installations, element must be installed on right hand side.

TECHNICAL INFORMATION

All measurements in Height by Width. Heat output based on $\Delta T60^{\circ}C$. For matching valves see pages 648-653. Corrosion inhibitor must be added to the heating system and maintained. Flow diverter must only be fitted when radiator installed on central heating system. For indirect heating systems only. Tappings are the width of the rail and 33 or 53mm off the wall.

All Electric

Dual-Fuel

Warranty

5 Year

Heating

FEATURES

- Excellent heat conductivity and lightweight.
 - Only requires a low water volume.
 - Heats up very quickly.
 - Radiators come with cover caps on top and bottom, same as radiator colour.
 - Can be single, dual fuel or all electric.
 - Manufactured and tested to EN442 standard.
 - CE Certification.
 - 5 Year Manufacturer's Warranty*
- * With conditions

Round Vent Caps

Page 657



Charlton Cover Cap Sets - Chrome

Description	Code	£ Ex VAT	£ Inc VAT
Cover Cap Set 280mm	89.0165	10.00	12.00
Cover Cap Set 375mm	89.0166	12.00	14.40
Cover Cap Set 470mm	89.0167	13.00	15.60
Cover Cap Set 565mm	89.0837	16.00	19.20

Cover cap sets only include cover caps for the top of the radiator.

Aluminium Range

CHARLTON HORIZONTAL

NEW



Pictured 89.0751 Matt Anthracite

A contemporary versatile radiator style, that come in three finishes, with an optional extra of stylish towel hangers.

Charlton Horizontal Aluminium Radiators - Matt White

Size H x W	Watts	BTU	Element Output	Element Type	Code	£ Ex VAT	£ Inc VAT
600 x 470mm	563	1922	300W	A, A+, C	89.0743	160.00	192.00
600 x 660mm	789	2693	450W	A, A+, C	89.0744	211.00	253.20
600 x 850mm	1014	3460	600W	A, A+, C	89.0745	264.00	316.80
600 x 1040mm	1239	4228	750W	A, A+	89.0746	314.00	376.80
600 x 1230mm	1465	4999	900W	A, A+	89.0747	369.00	442.80

Charlton Horizontal Aluminium Radiators - Matt Anthracite

Size H x W	Watts	BTU	Element Output	Element Type	Code	£ Ex VAT	£ Inc VAT
600 x 470mm	563	1922	300W	A, A+, C	89.0748	160.00	192.00
600 x 660mm	789	2693	450W	A, A+, C	89.0749	211.00	253.20
600 x 850mm	1014	3460	600W	A, A+, C	89.0750	264.00	316.80
600 x 1040mm	1239	4228	750W	A, A+	89.0751	314.00	376.80
600 x 1230mm	1465	4999	900W	A, A+	89.0752	369.00	442.80

Charlton Horizontal Aluminium Radiators - Matt Black

Size H x W	Watts	BTU	Element Output	Element Type	Code	£ Ex VAT	£ Inc VAT
600 x 470mm	563	1922	300W	A, A+, C	89.0753	160.00	192.00
600 x 660mm	789	2693	450W	A, A+, C	89.0754	211.00	253.20
600 x 850mm	1014	3460	600W	A, A+, C	89.0755	264.00	316.80
600 x 1040mm	1239	4228	750W	A, A+	89.0756	314.00	376.80
600 x 1230mm	1465	4999	900W	A, A+	89.0757	369.00	442.80

Prices include radiator and wall fixing sets, valves and accessories extra.

Warranty

5 Year

Heating

All Electric

Dual-Fuel

For element types see pages 646-647.

Element can only be installed vertically on the right-hand side on the bottom header.
Radiators that are electric only are restricted to the heat output of the elements.



FEATURES

- Excellent heat conductivity and lightweight.
 - Only requires a low water volume.
 - Heats up very quickly.
 - Radiators come with cover caps on top and bottom, same as radiator colour.
 - Can be single, dual fuel or all electric.
 - Manufactured and tested to EN442 standard.
 - CE Certification.
 - 5 Year Manufacturer's Warranty*
- * With conditions

TECHNICAL INFORMATION

All measurements in Height by Width. Heat output based on $\Delta T60^{\circ}C$. For matching valves see pages 648-653. Corrosion inhibitor must be added to the heating system and maintained. Flow diverter must only be fitted when radiator installed on central heating system. For indirect heating systems only. Tappings are the width of the rail and 33 or 53mm off the wall.



Charlton Cover Cap Sets - Chrome

Description	Code	£ Ex VAT	£ Inc VAT
Cover Cap Set 470mm	89.0167	13.00	15.60
Cover Cap Set 660mm	89.0838	19.00	22.80
Cover Cap Set 850mm	89.0839	24.00	28.80
Cover Cap Set 1040mm	89.0840	29.00	34.80
Cover Cap Set 1230mm	89.0841	34.00	40.80

Cover cap sets only include cover caps for the top of the radiator.

Round Vent Caps

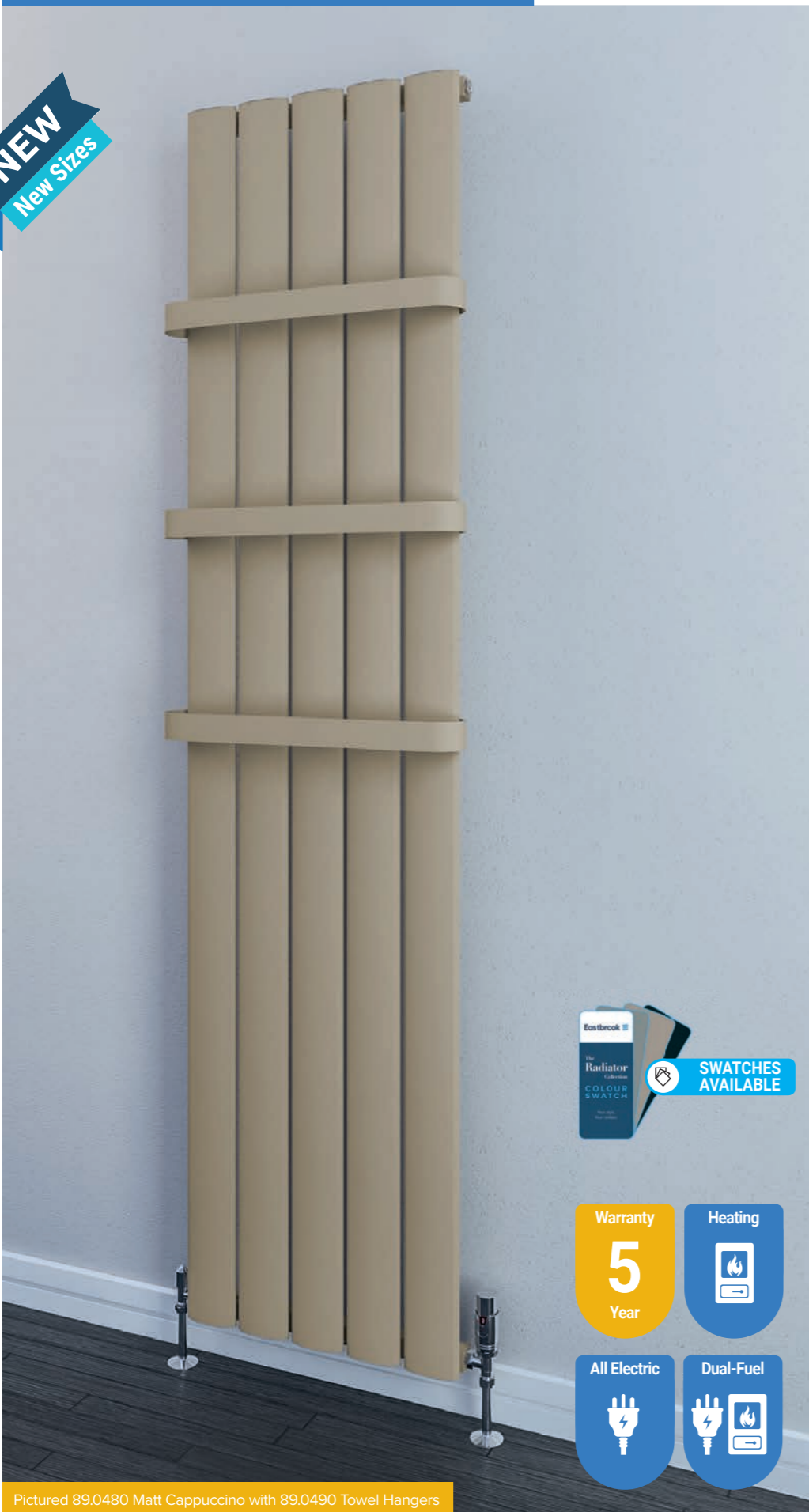
Page 657



Aluminium Range

MALMESBURY VERTICAL

NEW
New Sizes



Warranty
5 Year

Heating
[Icon of a radiator]

All Electric
[Icon of a plug]

Dual-Fuel
[Icon of a plug and a flame]

Pictured 89.0480 Matt Cappuccino with 89.0490 Towel Hangers

A designer radiator range available in both Vertical and Horizontal designs in Matt White, Matt Anthracite, Matt Cappuccino or Matt Grey finishes. Optional extras include chrome cover caps and towel hangers.

FEATURES

- Excellent heat conductivity and lightweight.
- Only requires a low water volume.
- Heats up very quickly.
- Radiators come with cover caps on top and bottom, same as radiator colour.
- Can be single, dual fuel or all electric.
- Manufactured and tested to EN442 standard.
- CE Certification.
- 5 Year Manufacturer's Warranty*
*With conditions



Pictured 89.0279 Matt Grey with 89.0301 Towel Hangers

NEW SIZES HIGHLIGHTED

Malmesbury Vertical Aluminium Radiators - Matt White

Size H x W	Watts	BTU	Element Output	Element Type	Code	£ Ex VAT	£ Inc VAT
1800 x 185mm	540	1841	300W	A, A+	89.0277	147.00	176.40
1800 x 280mm	809	2759	450W	A+	89.0146	208.00	249.60
1800 x 375mm	1078	3675	600W	A, A+	89.0148	265.00	318.00
1800 x 470mm	1348	4597	750W	A+	89.0150	325.00	390.00
1800 x 565mm	1744	5946	1000W	A+	89.0739	391.00	469.20

Malmesbury Vertical Aluminium Radiators - Matt Grey

Size H x W	Watts	BTU	Element Output	Element Type	Code	£ Ex VAT	£ Inc VAT
1800 x 185mm	540	1841	300W	A, A+	89.0279	147.00	176.40
1800 x 280mm	809	2759	450W	A+	89.0280	208.00	249.60
1800 x 375mm	1078	3675	600W	A, A+	89.0281	265.00	318.00
1800 x 470mm	1348	4597	750W	A+	89.0282	325.00	390.00
1800 x 565mm	1744	5946	1000W	A+	89.0740	391.00	469.20

Malmesbury Vertical Aluminium Radiators - Matt Anthracite

Size H x W	Watts	BTU	Element Output	Element Type	Code	£ Ex VAT	£ Inc VAT
1800 x 185mm	540	1841	300W	A, A+	89.0278	147.00	176.40
1800 x 280mm	809	2759	450W	A+	89.0147	208.00	249.60
1800 x 375mm	1078	3675	600W	A, A+	89.0149	265.00	318.00
1800 x 470mm	1348	4597	750W	A+	89.0151	325.00	390.00
1800 x 565mm	1744	5946	1000W	A+	89.0742	391.00	469.20

Malmesbury Vertical Aluminium Radiators - Matt Cappuccino

Size H x W	Watts	BTU	Element Output	Element Type	Code	£ Ex VAT	£ Inc VAT
1800 x 185mm	540	1841	300W	A, A+	89.0477	162.00	194.40
1800 x 280mm	809	2759	450W	A+	89.0478	231.00	277.20
1800 x 375mm	1078	3675	600W	A, A+	89.0479	297.00	356.40
1800 x 470mm	1348	4597	750W	A+	89.0480	363.00	435.60
1800 x 565mm	1744	5946	1000W	A+	89.0741	430.00	516.00

Prices include radiator and wall fixing sets, valves and accessories extra.



Malmesbury Cover Caps - Chrome

Description	Code	£ Ex VAT	£ Inc VAT
Cover Cap Set 185mm	89.0422	11.00	13.20
Cover Cap Set 280mm	89.0171	11.00	13.20
Cover Cap Set 375mm	89.0172	12.00	14.40
Cover Cap Set 470mm	89.0173	14.00	16.80

Cover Caps Chrome The cover cap set only includes cover caps for the top or the bottom of the radiator.

For element types see pages 646-647.

Element can only be installed vertically on the right-hand side on the bottom header. Radiators that are electric only are restricted to the heat output of the elements. For dual fuel installations, element must be installed on right hand side.



TECHNICAL INFORMATION

All measurements in Height by Width. Heat output based on $\Delta T60^{\circ}C$. For matching valves see pages 648-653. Corrosion inhibitor must be added to the heating system and maintained. Flow diverter must only be fitted when radiator installed on central heating system. For indirect heating systems only. Tappings are the width of the rail and 33 or 53mm off the wall.

Round Vent Caps
Page 657



Aluminium Range

MALMESBURY VERTICAL

Pictured 89.0148 Matt White with 89.0159 Towel Hangers



For all Malmesbury Matt White, Matt Anthracite, Matt Cappuccino, Matt Grey & Chrome Towel Hangers, please refer to page 611.

Aluminium Range

FAIRFORD VERTICAL

NEW
New Sizes



Warranty
5
Year

Heating
[Icon: Flame]

All Electric
[Icon: Plug]

Dual-Fuel
[Icon: Plug and Flame]

Pictured 89.0227 Matt Anthracite with 89.0320 Towel Hangers

This slimline radiator is an ideal solution for those tight or tall spaces. This wavy element design has a curved front that will provide a stylish warmth to any room. Available in two colours as well as horizontal and vertical designs.

FEATURES

- Excellent heat conductivity and lightweight.
- Only requires a low water volume.
- Heats up very quickly.
- Radiators come with cover caps on top and bottom, same as radiator colour.
- Manufactured and tested to EN442 standard.
- CE Certification.
- 5 Year Manufacturer's Warranty*
- Can be single or dual fuel, or all electric.

* With conditions

Round Vent Caps

Page 657



Aluminium Range

FAIRFORD VERTICAL

Pictured 89.0222 Matt White with 89.0322 Towel Hangers



NEW SIZES HIGHLIGHTED

Fairford Vertical Aluminium Radiators - Matt White

Size H x W	Watts	BTU	Element Output	Element Type	Code	£ Ex VAT	£ Inc VAT
1200 x 375mm	856	2919	450W	A+	89.0221	253.00	303.60
1200 x 565mm	1288	4392	750W	A+	89.0737	360.00	432.00
1800 x 375mm	1288	4392	750W	A+	89.0222	293.00	351.60
1800 x 565mm	1745	5950	1000W	A+	89.0735	418.00	501.60

Fairford Vertical Aluminium Radiators - Matt Anthracite

Size H x W	Watts	BTU	Element Output	Element Type	Code	£ Ex VAT	£ Inc VAT
1200 x 375mm	856	2919	450W	A+	89.0227	253.00	303.60
1200 x 565mm	1288	4392	750W	A+	89.0738	360.00	432.00
1800 x 375mm	1288	4392	750W	A+	89.0228	293.00	351.60
1800 x 565mm	1745	5950	1000W	A+	89.0736	418.00	501.60

Prices include radiator and wall fixing sets, valves and accessories extra.



Fairford Cover Caps - Chrome

Description	Code	£ Ex VAT	£ Inc VAT
Cover Cap 375mm	89.0399	12.00	14.40
Cover Cap 565mm	89.0400	16.00	19.20

Cover cap set only includes cover caps for the top or bottom of the radiator.

For element types see pages 646-647.

Element can only be installed vertically on the right-hand side on the bottom header. Radiators that are electric only are restricted to the heat output of the elements. For dual fuel installations, element must be installed on right hand side.



TECHNICAL INFORMATION

All measurements in Height by Width. Heat output based on $\Delta T60^{\circ}C$. For matching valves see pages 648-653. Corrosion inhibitor must be added to the heating system and maintained. Flow diverter must only be fitted when radiator installed on central heating system. For indirect heating systems only. Tappings are the width of the rail and 33 or 53mm off the wall.

FAIRFORD STANDARD TOWEL HANGERS



Towel Hanger - Matt White

Size	Code	£ Ex VAT	£ Inc VAT
375mm	89.0318	34.00	40.80
565mm	89.0319	43.00	51.60



Towel Hanger - Matt Anthracite

Size	Code	£ Ex VAT	£ Inc VAT
375mm	89.0320	34.00	40.80
565mm	89.0321	43.00	51.60



Towel Hanger - Chrome

Size	Code	£ Ex VAT	£ Inc VAT
375mm	89.0322	34.00	40.80
565mm	89.0323	43.00	51.60

1800mm height radiators comes with 3 pre-drilled towel hanger locations, with a maximum of 3 towel hangers.

1200mm height radiators comes with 2 pre-drilled towel hanger locations, with a maximum of 2 towel hangers.

The standard towel hangers are compatible with the Vertical radiators. (Depending on the radiators and hangers width)

Can be fitted after installation !

The Fairford Standard Towel Hangers will add approx 8mm width on each side once fitted to the radiator.

Traditional Range

RIVASSA 2 COLUMN

NEW
New Sizes



Pictured 81.0003 Gloss White

A traditional rail which will give a Victorian touch of authenticity to any room but will also create an elegant look to a contemporary interior. This radiator boasts high outputs to ensure the whole room is warm. Comes with the option of traditional legs and in white or matt anthracite finishes. Also available in three columns.

FEATURES

- Manufactured and tested to EN442 standard.
- 5 Year Manufacturer's Warranty.
- CE Certification.
- 300mm height option for limited spaces.
- Matching colour wall fixing sets.
- Radiator feet option available to get the classic look.
- Material thickness 1.5mm
- Doesn't require flow diverter.

* With conditions



Traditional TRVs
Page 648-649

Pictured 81.0025 Matt Anthracite



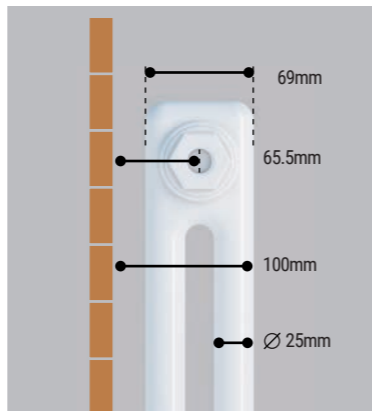
Pictured 81.0008 Gloss White

Warranty
5
Year

Heating

All Electric

Dual-Fuel

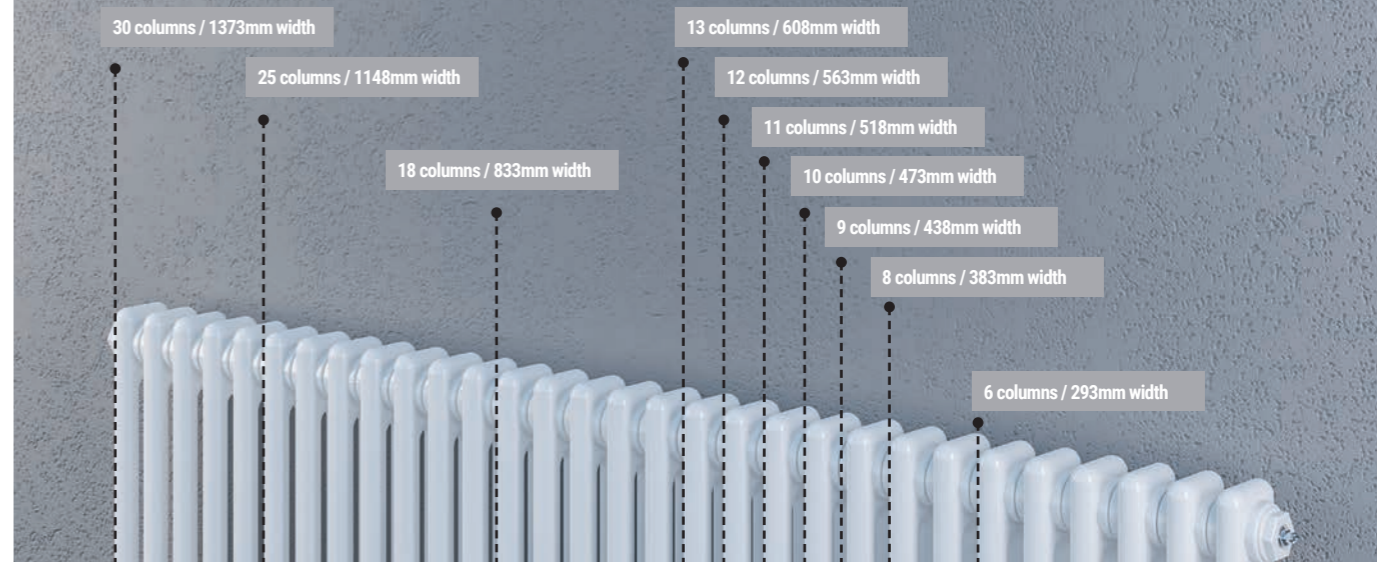


Traditional Range

NEW SIZES HIGHLIGHTED

RIVASSA 2 COLUMN

RIVASSA 2 COLUMN - WIDTHS



Rivassa Two Column Radiators - Gloss White

Size H x W	Watts	BTU	Element Output	Element Type	Code	£ Ex VAT	£ Inc VAT
300 x 1148mm	889	3034	450W	A+, C, E*	81.0005	301.00	361.20
300 x 1373mm	1067	3641	600W	A, A+, C, E*	81.0006	362.00	434.40
600 x 428mm	567	1933	300W	A, A+, C	81.0038	137.00	164.40
600 x 473mm	630	2148	300W	A, A+, C	81.0039	152.00	182.40
600 x 518mm	693	2362	300W	A, A+, C	81.0040	167.00	200.40
600 x 563mm	756	2577	450W	A+, C	81.0041	183.00	219.60
600 x 608mm	818	2792	450W	A+, C, E*	81.0007	200.00	240.00
600 x 833mm	1133	3866	600W	A+, C, E*	81.0008	277.00	332.40
600 x 1010mm	1385	4727	750W	A+, C	81.0077	339.00	406.80
600 x 1148mm	1573	5369	900W	A, A+	81.0009	384.00	460.80
600 x 1460mm	2014	6874	1200W	A+	81.0078	493.00	591.60
1800 x 293mm	933	3185	N/A	N/A	81.0002	179.00	214.80
1800 x 383mm	1245	4247	N/A	N/A	81.0003	236.00	283.20
1800 x 473mm	1556	5308	N/A	N/A	81.0004	296.00	355.20

*600w Type E Element can be fitted

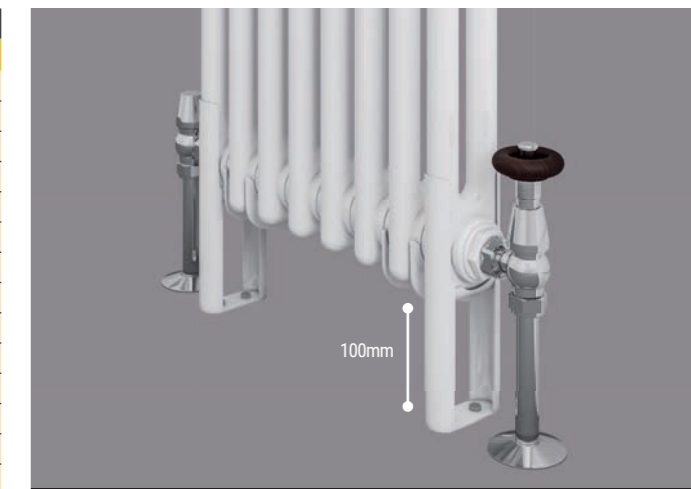
Rivassa Two Column Radiators - Matt Anthracite

Size H x W	Watts	BTU	Element Output	Element Type	Code	£ Ex VAT	£ Inc VAT
300 x 1148mm	889	3034	450W	A+, C, E*	81.0021	307.00	368.40
300 x 1373mm	1067	3641	600W	A, A+, C, E*	81.0022	369.00	442.80
600 x 428mm	567	1933	300W	A, A+, C	81.0046	140.00	168.00
600 x 473mm	630	2148	300W	A, A+, C	81.0047	155.00	186.00
600 x 518mm	693	2362	300W	A, A+, C	81.0048	170.00	204.00
600 x 563mm	756	2577	450W	A+, C	81.0049	187.00	224.40
600 x 608mm	818	2792	450W	A+, C, E*	81.0023	205.00	246.00
600 x 833mm	1133	3866	600W	A+, C, E*	81.0024	282.00	338.40
600 x 1010mm	1385	4727	750W	A+, C	81.0090	347.00	416.40
600 x 1148mm	1573	5369	900W	A, A+	81.0025	392.00	470.40
600 x 1460mm	2014	6874	1200W	A+	81.0091	503.00	603.60
1800 x 293mm	933	3185	N/A	N/A	81.0018	183.00	219.60
1800 x 383mm	1245	4247	N/A	N/A	81.0019	240.00	288.00
1800 x 473mm	1556	5308	N/A	N/A	81.0020	301.00	361.20

*600w Type E Element can be fitted

TECHNICAL INFORMATION

All measurements in Height by Width. Heat output based on $\Delta T60^{\circ}C$. Radiators that are electric only are restricted to the heat output of the elements. Element size can be increased to full capacity of rail if using element type C or E. For element types see pages 646-647. For matching valves see pages 648-653. For indirect heating systems. Tappings are the width of the rail and 65.5mm off the wall. Prices include radiator and wall fixings sets, valves extra.



Rivassa Radiator Feet

Description	Code	£ Ex VAT	£ Inc VAT
Rivassa 2 Column Radiator Feet (pair) White	81.0034	22.00	26.40
Rivassa 2 Column Rad. Feet (pair) Matt Anthracite	81.0035	22.00	26.40



Pictured 81.0049 Matt Anthracite with 16.158 Towel Hanger

Towel Hangers

Page 656



Robe Hooks

Page 656



Round Vent Caps

Page 657



Traditional Range

RIVASSA 2 COLUMN

Bronze Effect

NEW



Pictured 81.0111 Bronze Effect

Chrome Effect

NEW

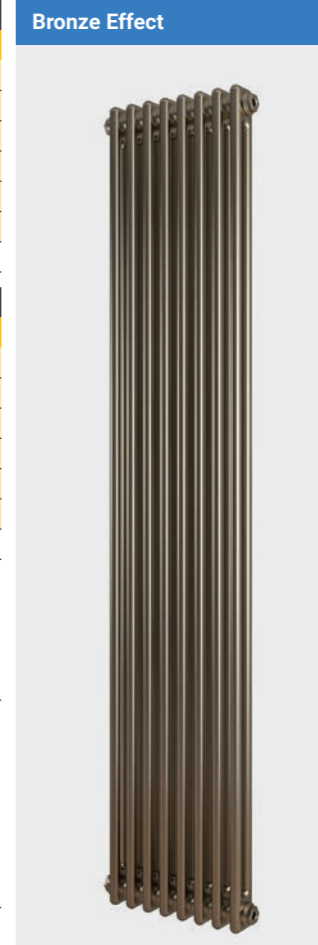


Pictured 81.0123 Chrome Effect

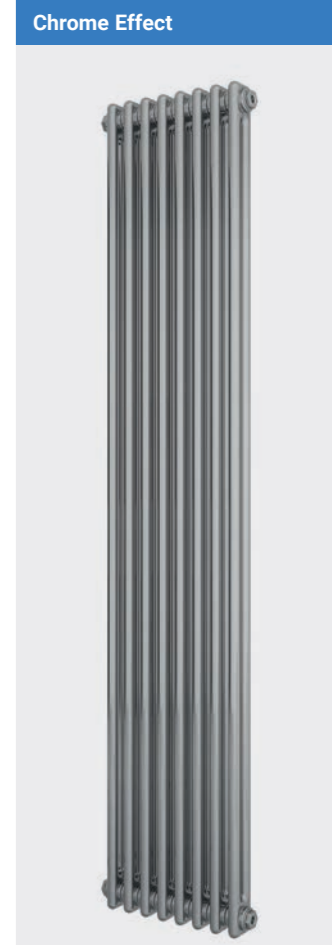
Traditional Range

RIVASSA 2 COLUMN

Bronze Effect



Chrome Effect



Rivassa Two Column Radiators - Bronze Effect

Size H x W	Watts	BTU	Element Output	Element Type	Code	£ Ex VAT	£ Inc VAT
600 x 608mm	818	2792	450W	A+, C, E*	81.0108	204.00	244.80
600 x 833mm	1133	3866	600W	A+, C, E*	81.0109	283.00	339.60
600 x 1010mm	1385	4727	750W	A+, C	81.0110	347.00	416.40
600 x 1148mm	1573	5369	900W	A, A+	81.0111	392.00	470.40
1800 x 383mm	1245	4247	N/A	N/A	81.0113	242.00	290.40
1800 x 473mm	1556	5308	N/A	N/A	81.0112	301.00	361.20

*600w Type E Element can be fitted

Rivassa Two Column Radiators - Chrome Effect

Size H x W	Watts	BTU	Element Output	Element Type	Code	£ Ex VAT	£ Inc VAT
600 x 608mm	818	2792	450W	A+, C, E*	81.0122	211.00	253.20
600 x 833mm	1133	3866	600W	A+, C, E*	81.0123	291.00	349.20
600 x 1010mm	1385	4727	750W	A+, C	81.0124	356.00	427.20
600 x 1148mm	1573	5369	900W	A, A+	81.0125	404.00	484.80
1800 x 383mm	1245	4247	N/A	N/A	81.0127	249.00	298.80
1800 x 473mm	1556	5308	N/A	N/A	81.0126	311.00	373.20

*600w Type E Element can be fitted

A traditional rail which will give a Victorian touch of authenticity to any room but will also create an elegant look to a contemporary interior. This radiator boasts high outputs to ensure the whole room is warm. Comes with the option of traditional legs and in bronze effect or chrome effect finishes. Also available in two & four columns.

FEATURES

- Manufactured and tested to EN442 standard.
- 5 Year Manufacturer's Warranty.
- CE Certification.
- Matching colour wall fixing sets.
- Material thickness 1.5mm
- Doesn't require flow diverter.
- * With conditions

TECHNICAL INFORMATION

All measurements in Height by Width. Heat output based on $\Delta T60^{\circ}C$. Radiators that are electric only are restricted to the heat output of the elements. Element size can be increased to full capacity of rail if using element type C or E. For element types see pages 646-647. For matching valves see pages 648-653. For indirect heating systems. Tappings are the width of the rail and 65.5mm off the wall. Prices include radiator and wall fixings sets, valves extra.

COMPLETE THE LOOK

Traditional TRVs
Page 648-649

NEW



Angle TRV with Lockshield 15mm (pair) - Chrome

Code	£ Ex VAT	£ Inc VAT
54.0008	59.00	70.80

NEW



Angle TRV with Lockshield 15mm (pair) - Satin Nickel

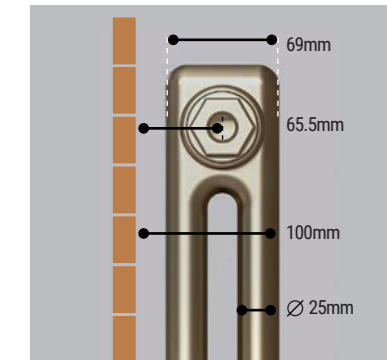
Code	£ Ex VAT	£ Inc VAT
54.0009	63.00	75.60

Warranty
5
Year

Heating

All Electric

Dual-Fuel



RIVASSA 2 COLUMN RADIATOR FEET

Rivassa 2 Column Feet - Bronze Effect

Description	Code	£ Ex VAT	£ Inc VAT
2 Column Radiator Feet (pair)	81.0114	22.00	26.40

Rivassa 2 Column Feet - Chrome Effect

Description	Code	£ Ex VAT	£ Inc VAT
2 Column Radiator Feet (pair)	81.0128	23.00	27.60

Robe Hooks
Page 656



Towel Hangers
Page 656



Traditional Range

RIVASSA 3 COLUMN

NEW
New Sizes



Pictured 81.0028 Matt Anthracite

A traditional rail which will give a Victorian touch of authenticity to any room but will also create an elegant look to a contemporary interior. This radiator boasts high outputs to ensure the whole room is warm. Comes with the option of traditional legs and in white or matt anthracite finishes. Also available in two columns.

FEATURES

- Manufactured and tested to EN442 standard.
- 5 Year Manufacturer's Warranty.
- CE Certification.
- 300mm height option for limited spaces.
- Matching colour wall fixing sets.
- Radiator feet option available to get the classic look.
- Material thickness 1.5mm
- Doesn't require flow diverter.

* With conditions



Pictured 81.0033 Matt Anthracite



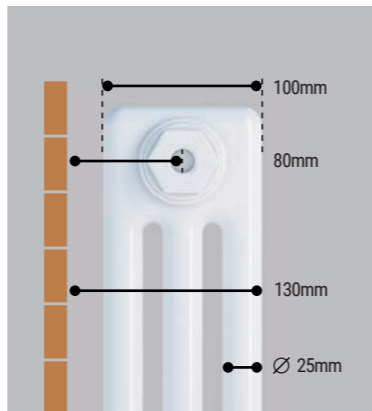
Pictured 81.0016 Gloss White

Warranty
5
Year

Heating

All Electric

Dual-Fuel



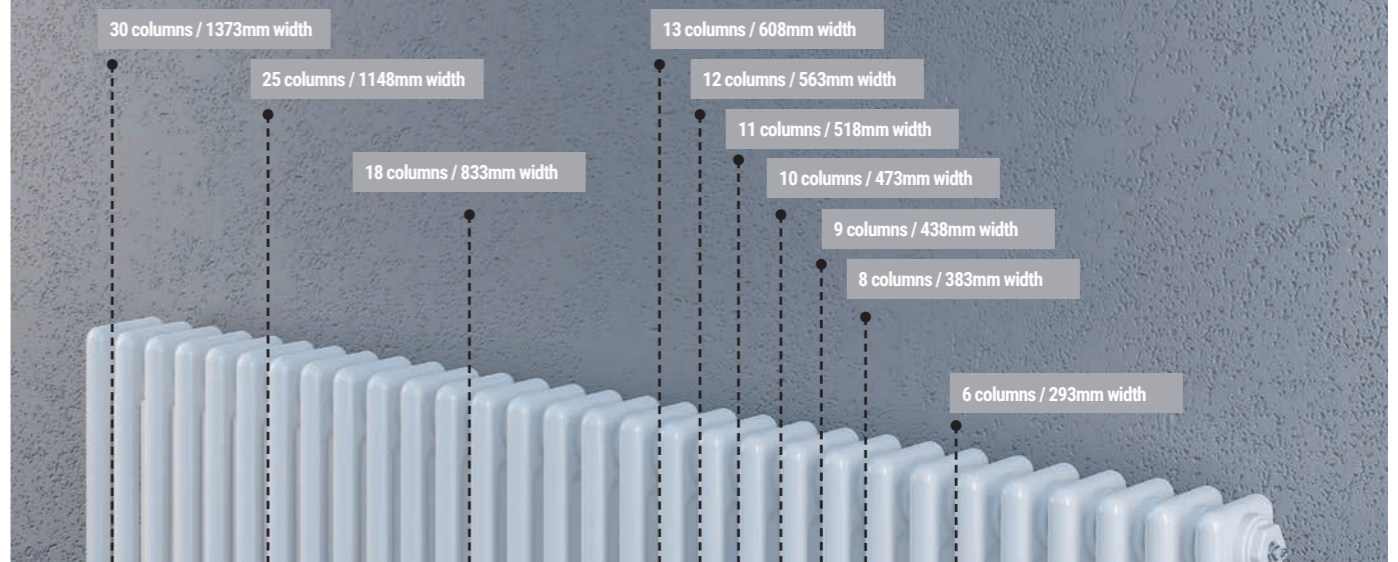
Traditional TRVs
Page 648-649

Traditional Range

NEW SIZES HIGHLIGHTED

RIVASSA 3 COLUMN

RIVASSA 3 COLUMN - WIDTHS



Rivassa Three Column Radiators - White							
Size H x W	Watts	BTU	Element Output	Element Type	Code	£ Ex VAT	£ Inc VAT
300 x 1148mm	1118	3816	600W	A, A+, C, E*	81.0013	321.00	385.20
300 x 1373mm	1342	4579	750W	A+, C, E*	81.0014	384.00	460.80
600 x 428mm	734	2504	450W	A+, C	81.0042	146.00	175.20
600 x 473mm	816	2782	450W	A+, C	81.0043	161.00	193.20
600 x 518mm	898	3061	450W	A+, C	81.0044	177.00	212.40
600 x 563mm	979	3339	600W	A+, C	81.0045	193.00	231.60
600 x 608mm	1060	3616	600W	A+, C	81.0015	212.00	254.40
600 x 833mm	1467	5007	900W	A+, C	81.0016	294.00	352.80
600 x 1010mm	1794	6123	1000W	A+, C	81.0079	358.00	429.60
600 x 1148mm	2038	6954	1200W	A+	81.0017	406.00	487.20
600 x 1460mm	2609	8904	1200W	A+	81.0080	521.00	625.20
1800 x 293mm	1563	5333	N/A	N/A	81.0010	197.00	236.40
1800 x 383mm	2084	7111	N/A	N/A	81.0011	246.00	295.20
1800 x 473mm	2605	8889	N/A	N/A	81.0012	307.00	368.40

*600w Type E Element can be fitted

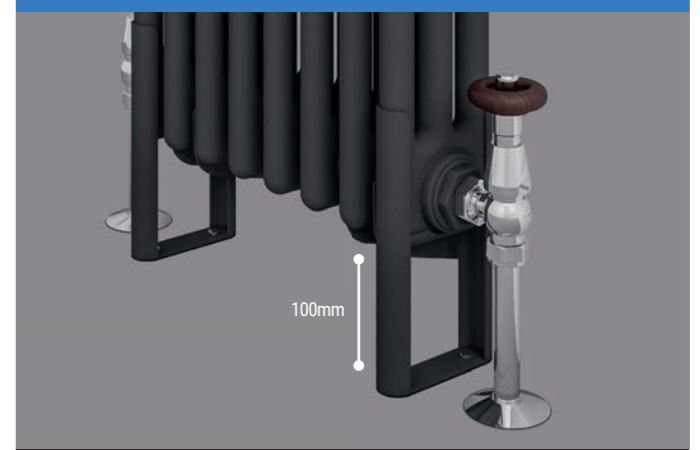
Rivassa Three Column Radiators - Matt Anthracite							
Size H x W	Watts	BTU	Element Output	Element Type	Code	£ Ex VAT	£ Inc VAT
300 x 1148mm	1118	3816	600W	A, A+, C, E*	81.0029	327.00	392.40
300 x 1373mm	1342	4579	750W	A+, C, E*	81.0030	392.00	470.40
600 x 428mm	734	2504	450W	A+, C	81.0050	149.00	178.80
600 x 473mm	816	2782	450W	A+, C	81.0051	164.00	196.80
600 x 518mm	898	3061	450W	A+, C	81.0052	182.00	218.40
600 x 563mm	979	3339	600W	A+, C	81.0053	196.00	235.20
600 x 608mm	1060	3616	600W	A+, C	81.0031	217.00	260.40
600 x 833mm	1467	5007	900W	A+, C	81.0032	299.00	358.80
600 x 1010mm	1794	6123	1000W	A+, C	81.0092	365.00	438.00
600 x 1148mm	2038	6954	1200W	A+	81.0033	414.00	496.80
600 x 1460mm	2609	8904	1200W	A+	81.0093	531.00	637.20
1800 x 293mm	1563	5333	N/A	N/A	81.0026	201.00	241.20
1800 x 383mm	2084	7111	N/A	N/A	81.0027	252.00	302.40
1800 x 473mm	2605	8889	N/A	N/A	81.0028	313.00	375.60

*600w Type E Element can be fitted

TECHNICAL INFORMATION

All measurements in Height by Width. Heat output based on $\Delta T60^{\circ}C$. Radiators that are electric only are restricted to the heat output of the elements. Element size can be increased to full capacity of rail if using element type C or E. For element types see pages 646-647. For matching valves see pages 648-653. For indirect heating systems. Tappings are the width of the rail and 80mm off the wall. Prices include radiator and wall fixings sets, valves extra.

RIVASSA 3 COLUMN RADIATOR FEET



Description	Code	£ Ex VAT	£ Inc VAT
Rivassa 3 Column Radiator Feet (pair) White	81.0036	22.00	26.40
Rivassa 3 Column Radiator Feet (pair) Matt Anthracite	81.0037	22.00	26.40



Pictured 81.0042 White

Towel Hangers
Page 656

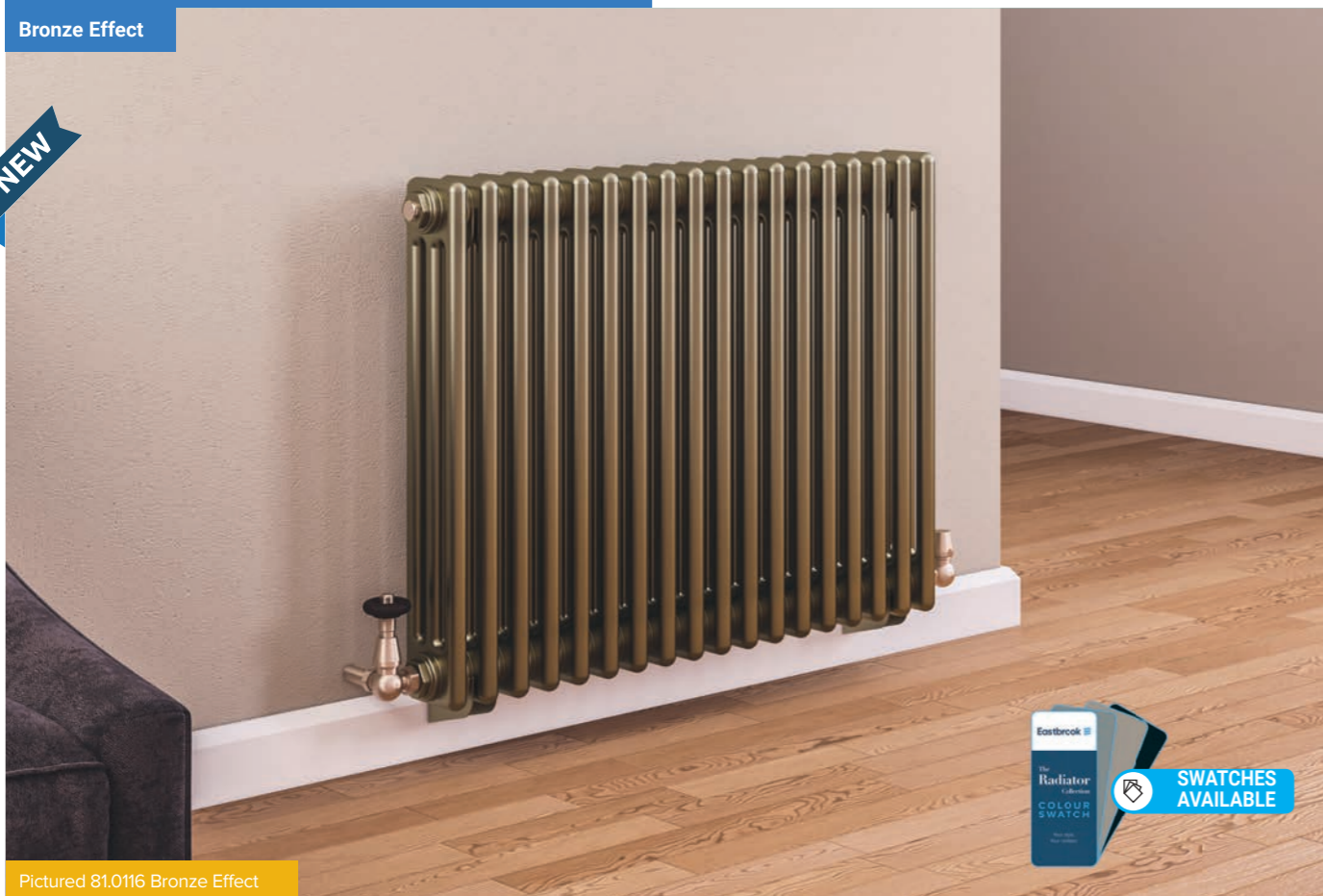
Robe Hooks
Page 656

Round Vent Caps
Page 657

Traditional Range

RIVASSA 3 COLUMN

Bronze Effect



Pictured 81.0116 Bronze Effect

Chrome Effect

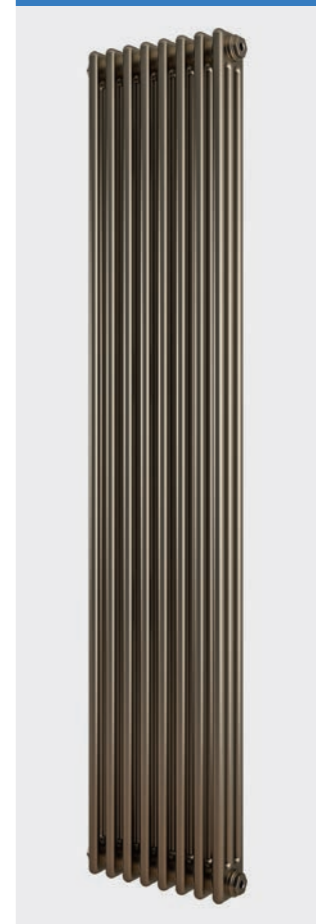


Pictured 81.0131 Chrome Effect

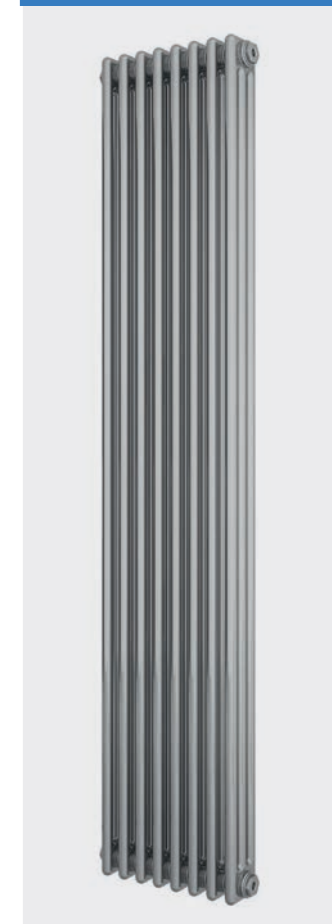
Traditional Range

RIVASSA 3 COLUMN

Bronze Effect



Chrome Effect



Rivassa Three Column Radiators - Bronze Effect

Size H x W	Watts	BTU	Element Output	Element Type	Code	£ Ex VAT	£ Inc VAT
600 x 608mm	1060	3616	600W	A+, C	81.0115	217.00	260.40
600 x 833mm	1467	5007	900W	A+, C	81.0116	299.00	358.80
600 x 1010mm	1794	6123	1000W	A+, C	81.0117	365.00	438.00
600 x 1148mm	2038	6954	1200W	A+	81.0118	415.00	498.00
1800 x 383mm	2084	7111	N/A	N/A	81.0120	254.00	304.80
1800 x 473mm	2605	8889	N/A	N/A	81.0119	318.00	381.60

Rivassa Three Column Radiators - Chrome Effect

Size H x W	Watts	BTU	Element Output	Element Type	Code	£ Ex VAT	£ Inc VAT
600 x 608mm	1060	3616	600W	A+, C	81.0129	223.00	267.60
600 x 833mm	1467	5007	900W	A+, C	81.0130	308.00	369.60
600 x 1010mm	1794	6123	1000W	A+, C	81.0131	376.00	451.20
600 x 1148mm	2038	6954	1200W	A+	81.0132	427.00	512.40
1800 x 383mm	2084	7111	N/A	N/A	81.0134	261.00	313.20
1800 x 473mm	2605	8889	N/A	N/A	81.0133	330.00	396.00

A traditional rail which will give a Victorian touch of authenticity to any room but will also create an elegant look to a contemporary interior. This radiator boasts high outputs to ensure the whole room is warm. Comes with the option of traditional legs and in bronze effect or chrome effect finishes. Also available in two & four columns.

FEATURES

- Manufactured and tested to EN442 standard.
- 5 Year Manufacturer's Warranty.
- CE Certification.
- Matching colour wall fixing sets.
- Radiator feet option available to get the classic look.
- Material thickness 1.5mm
- Doesn't require flow diverter.
- * With conditions

TECHNICAL INFORMATION

All measurements in Height by Width. Heat output based on $\Delta T60^{\circ}C$. Radiators that are electric only are restricted to the heat output of the elements. Element size can be increased to full capacity of rail if using element type C or E. For element types see pages 646-647. For matching valves see pages 648-653. For indirect heating systems. Tappings are the width of the rail and 65.5mm off the wall. Prices include radiator and wall fixings sets, valves extra.

COMPLETE THE LOOK

Traditional TRVs
Page 648-649



Angle TRV with Lockshield 15mm (pair) - Chrome

Code	£ Ex VAT	£ Inc VAT
54.0008	59.00	70.80



Angle TRV with Lockshield 15mm (pair) - Satin Nickel

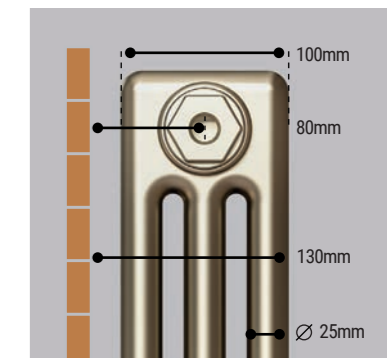
Code	£ Ex VAT	£ Inc VAT
54.0009	63.00	75.60

Warranty
5
Year

Heating

All Electric

Dual-Fuel



RIVASSA 3 COLUMN RADIATOR FEET

Rivassa 3 Column Feet - Bronze Effect

Description	Code	£ Ex VAT	£ Inc VAT
3 Column Radiator Feet (pair)	81.0121	22.00	26.40

Rivassa 3 Column Feet - Chrome Effect

Description	Code	£ Ex VAT	£ Inc VAT
3 Column Radiator Feet (pair)	81.0135	23.00	27.60

Towel Hangers
Page 656

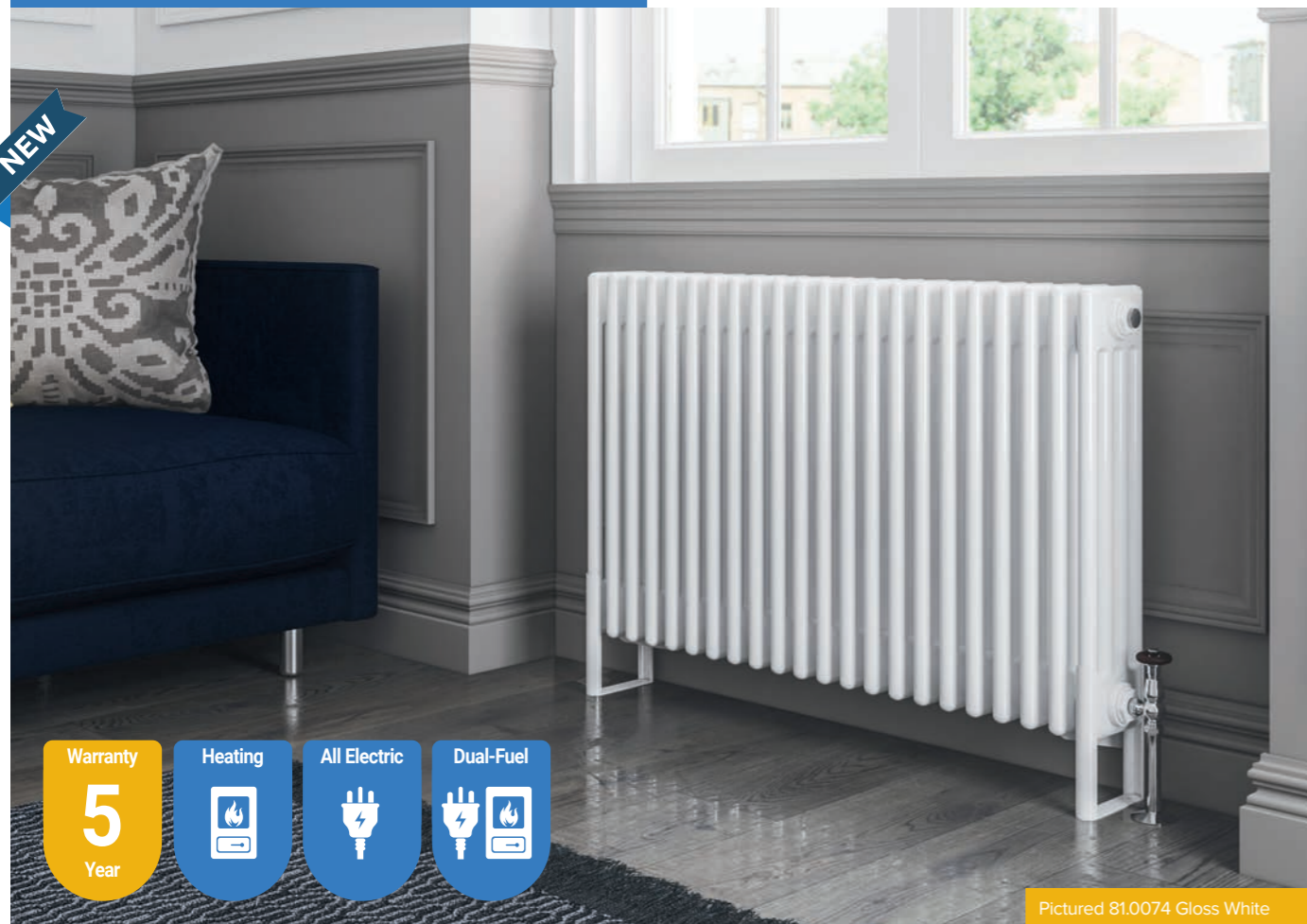


Robe Hooks
Page 656



Traditional Range

RIVASSA 4 COLUMN - GLOSS WHITE



Pictured 81.0074 Gloss White

A traditional rail which will give a Victorian touch of authenticity to any room but will also create an elegant look to a contemporary interior. This radiator boasts high outputs to ensure the whole room is warm. Comes with the option of traditional legs and in white or matt anthracite finishes. Also available in two and three columns.

Rivassa Four Column Radiators - Gloss White							
Size H x W	Watts	BTU	Element Output	Element Type	Code	£ Ex VAT	£ Inc VAT
300 x 1010mm	1197	4085	600W	A, A+, C, E*	81.0068	326.00	391.20
300 x 1373mm	1633	5573	1000W	A+	81.0069	444.00	532.80
300 x 1505mm	1796	6110	1000W	A+	81.0070	489.00	586.80
600 x 425mm	869	2966	450W	A+	81.0071	194.00	232.80
600 x 605mm	1255	4283	750W	A+, C	81.0072	280.00	336.00
600 x 785mm	1641	5601	900W	A+	81.0073	365.00	438.00
600 x 1010mm	2124	7249	1200W	A+	81.0074	472.00	566.40
600 x 1190mm	2510	8567	1200W	A+	81.0075	558.00	669.60

*600w Type E Element can be fitted

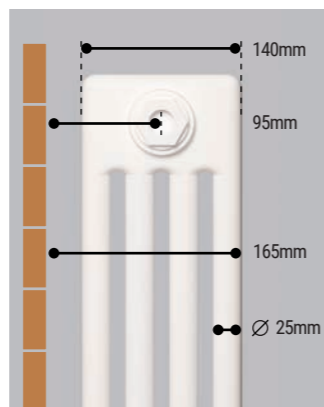
FEATURES

- Manufactured and tested to EN442 standard.
- 5 Year Manufacturer's Warranty.
- CE Certification.
- 300mm height option for limited spaces.
- Matching colour wall fixing sets.
- Radiator feet option available to get the classic look.
- Material thickness 1.5mm
- Doesn't require flow diverter.

* With conditions

TECHNICAL INFORMATION

All measurements in Height by Width. Heat output based on $\Delta T60^{\circ}C$. Radiators that are electric only are restricted to the heat output of the elements. Element size can be increased to full capacity of rail if using element type C or E. For element types see pages 646-647. For matching valves see pages 648-653. For indirect heating systems. Tappings are the width of the rail and 95mm off the wall. Projection from wall 165mm. Prices include radiator and wall fixings sets, valves extra.



Round Vent Caps

Page 657



Robe Hooks

Page 656



Traditional TRVs

Page 648-649



Towel Hangers

Page 656



RIVASSA 4 COLUMN RADIATOR FEET

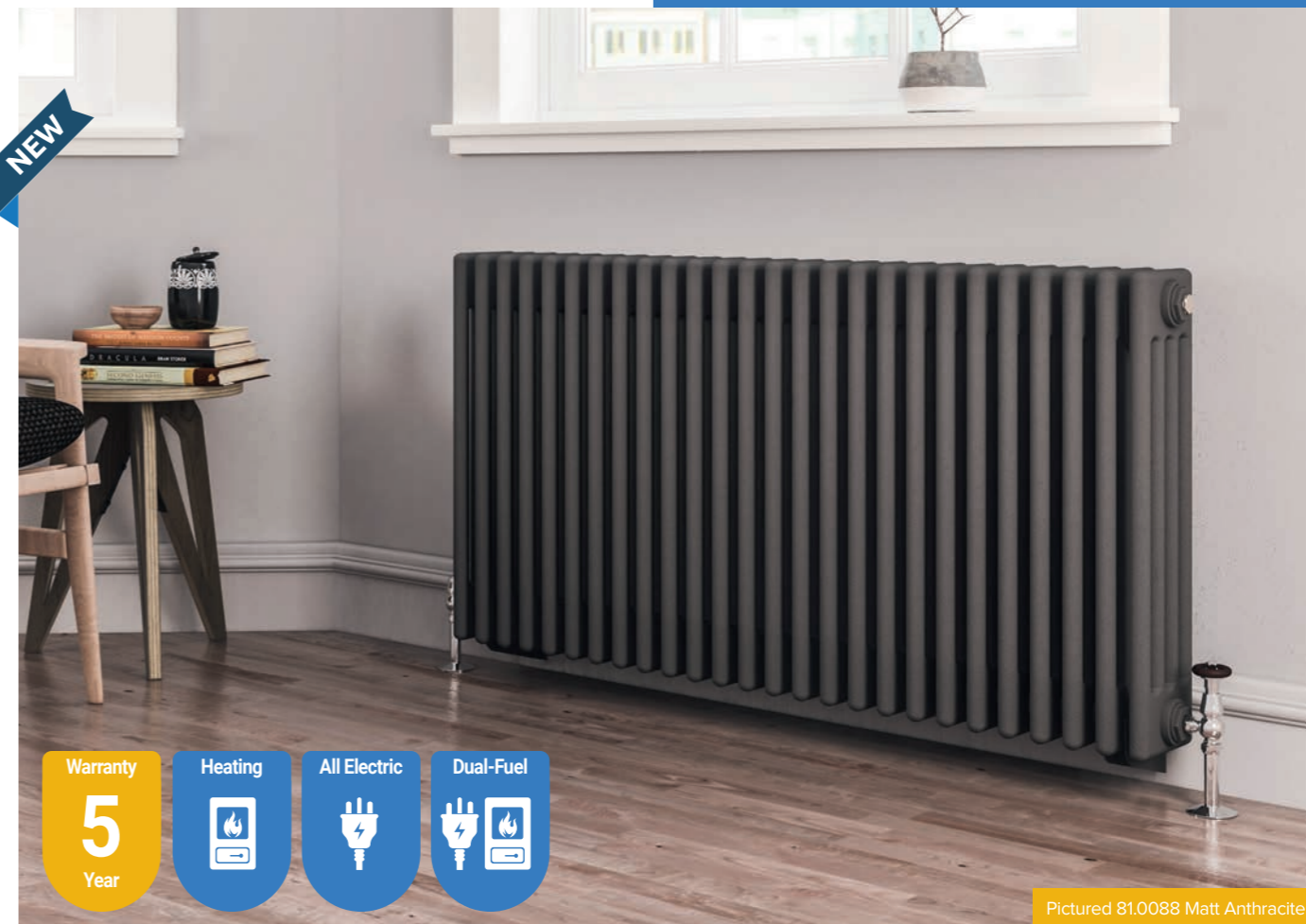
Rivassa 4 Column Feet - Gloss White

Description	Code	£ Ex VAT	£ Inc VAT
Rivassa 4 Column Radiator Feet (pair) White	81.0076	28.00	33.60



Traditional Range

RIVASSA 4 COLUMN - MATT ANTHRACITE



Pictured 81.0088 Matt Anthracite

A traditional rail which will give a Victorian touch of authenticity to any room but will also create an elegant look to a contemporary interior. This radiator boasts high outputs to ensure the whole room is warm. Comes with the option of traditional legs and in white or matt anthracite finishes. Also available in two and three columns.

Rivassa Four Column Radiators - Matt Anthracite							
Size H x W	Watts	BTU	Element Output	Element Type	Code	£ Ex VAT	£ Inc VAT
300 x 1010mm	1197	4085	600W	A, A+, C, E*	81.0081	332.00	398.40
300 x 1373mm	1633	5573	1000W	A+	81.0082	454.00	544.80
300 x 1505mm	1796	6110	1000W	A+	81.0083	498.00	597.60
600 x 425mm	869	2966	450W	A+	81.0084	197.00	236.40
600 x 605mm	1255	4283	750W	A+, C	81.0085	285.00	342.00
600 x 785mm	1641	5601	900W	A+	81.0086	372.00	446.40
600 x 1010mm	2124	7249	1200W	A+	81.0087	482.00	578.40
600 x 1190mm	2510	8567	1200W	A+	81.0088	569.00	682.80

*600w Type E Element can be fitted

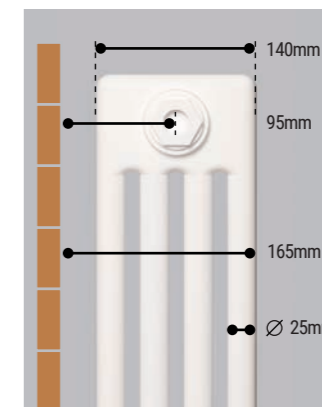
FEATURES

- Manufactured and tested to EN442 standard.
- 5 Year Manufacturer's Warranty.
- CE Certification.
- 300mm height option for limited spaces.
- Matching colour wall fixing sets.
- Radiator feet option available to get the classic look.
- Material thickness 1.5mm
- Doesn't require flow diverter.

* With conditions

TECHNICAL INFORMATION

All measurements in Height by Width. Heat output based on $\Delta T60^{\circ}C$. Radiators that are electric only are restricted to the heat output of the elements. Element size can be increased to full capacity of rail if using element type C or E. For element types see pages 646-647. For matching valves see pages 648-653. For indirect heating systems. Tappings are the width of the rail and 95mm off the wall. Projection from wall 165mm. Prices include radiator and wall fixings sets, valves extra.



Round Vent Caps

Page 657



Robe Hooks

Page 656



Traditional TRVs

Page 648-649



Towel Hangers

Page 656



RIVASSA 4 COLUMN RADIATOR FEET



Rivassa 4 Column Feet - Matt Anthracite

Description	Code	£ Ex VAT	£ Inc VAT
Rivassa 4 Column Radiator Feet (pair) White	81.0089	28.00	33.60



Element & Thermostatic Valves

ELEMENT TYPE A+

Power	Length (mm)
100W	135
150W	170
300W	250
450W	350
600W	470
750W	590
900W	690
1000W	760
1200W	910

*(Not including appropriate element). I.P. rating 55. (Zone 2 and 3)
Please note all fluid filled rails are special order and are **non-returnable**.

FEATURES

- Elements use PTC self regulating technology providing excellent reliability and extended working life

TECHNICAL INFORMATION For an all electric towel rail/radiator, fluid filling must be purchased. Electric only elements will be fitted RH side unless otherwise specified. For dual fuel installations, purchase T piece separately. (Page 649)
Element should be rated at less than 60% of the radiator's output.

Element Type A+

Description	Code	£ Ex VAT	£ Inc VAT
100 watt element*	8.016	47.00	56.40
150 watt element*	8.017	47.00	56.40
300 watt element*	8.018	50.00	60.00
450 watt element*	8.019	54.00	64.80
600 watt element*	8.020	70.00	84.00
750 watt element*	8.021	73.00	87.60
900 watt element*	8.022	76.00	91.20
1000 watt element*	8.023	78.00	93.60
1200 watt element*	8.024	81.00	97.20
Fluid filling for above rail (electric only)*	FF	88.00	105.60

Element Type A+ Cover Caps

Description	Code	£ Ex VAT	£ Inc VAT
White Cap	8.025	3.00	3.60
Chrome Cap	8.026	5.00	6.00
Grey Cap	8.027	5.00	6.00
Cappuccino Cap	8.028	5.00	6.00
Anthracite Cap	8.029	5.00	6.00
Black Cap	8.030	5.00	6.00



DARLINGTON STRAIGHT TRV



BI-DIRECTIONAL White/Chrome

Straight TRV with Lockshield 15mm (pair)

Code	£ Ex VAT	£ Inc VAT
54.0005	26.00	31.20

- FEATURES**
- All valves are 15mm models

DARLINGTON ANGLED TRV



BI-DIRECTIONAL White/Chrome

Angled TRV with Lockshield 15mm (pair)

Code	£ Ex VAT	£ Inc VAT
54.0006	25.00	30.00

- All TRV models are Bi-Directional
- Approved to EN 1074-2:2000

DARLINGTON CORNER TRV



BI-DIRECTIONAL White/Chrome

Corner TRV with Lockshield 15mm (pair)

Code	£ Ex VAT	£ Inc VAT
54.0007	28.00	33.60

- Produced to GB/T 19001-2016 and ISO 9001:2015
- 2 Year warranty*
- *With conditions

TWIN THERMOSTATIC VALVES



Twin Thermostatic Valves

Description	Colour	Code	£ Ex VAT	£ Inc VAT
Straight Twin inlet Thermostatic Radiator Valve 15mm	Gloss White	54.0012	48.00	57.60
Straight Twin inlet Thermostatic Radiator Valve 15mm	Chrome	54.0013	44.00	52.80
Angled Twin inlet Thermostatic Radiator Valve 15mm	Gloss White	54.0014	48.00	57.60
Angled Twin inlet Thermostatic Radiator Valve 15mm	Chrome	54.0015	44.00	52.80

FEATURES

- All twin thermostatic vales are 15 mm
- Approved to EN 1074-2:2000
- Produced to GB/T 19001-2016 and ISO 9001:2015
- 2 Year warranty*
- *With conditions

Thermostatic Valves & Element T Pieces



Code	£ Ex VAT	£ Inc VAT
54.0008	59.00	70.80



Code	£ Ex VAT	£ Inc VAT
54.0009	63.00	75.60



Code	£ Ex VAT	£ Inc VAT
54.0010	74.00	88.80



Code	£ Ex VAT	£ Inc VAT
54.0011	76.00	91.20

TRADITIONAL VALVES

Code	£ Ex VAT	£ Inc VAT
54.0001	34.00	40.80

- FEATURES**
- All valves are 15mm models
 - Approved to EN 1074-2:2000
 - Produced to GB/T 19001-2016 and ISO 9001:2015
 - 2 Year warranty*
 - *With conditions

NEW SIZES HIGHLIGHTED



Dual Fuel Elbows

Description	Code	£ Ex VAT	£ Inc VAT
Elbow Chrome	41.3003	9.00	10.80
Elbow Matt White	41.4040	11.00	13.20
Elbow Matt Grey	41.4041	11.00	13.20
Elbow Matt Cappuccino	41.4042	11.00	13.20
Elbow Matt Anthracite	41.4043	11.00	13.20
Elbow Matt Black	41.4044	11.00	13.20

Dual Fuel T Pieces

Description	Code	£ Ex VAT	£ Inc VAT
T Piece Chrome	8.901	12.00	14.40
T Piece Matt White	41.3030	14.00	16.80
T Piece Matt Grey	41.3031	14.00	16.80
T Piece Matt Cappuccino	41.3032	14.00	16.80
T Piece Matt Anthracite	41.3033	14.00	16.80
T Piece Matt Black	41.3034	14.00	16.80